

芯有方向 肩有担当 同芯协力 共创未来
Core has the direction shoulder has the responsibility to work together to create the future



LONGCHEN
ENVIRONMENTAL PROTECTION TECHNOLOGY
龙辰环保科技



芯有方向 肩有担当 同芯协力 共创未来
Core has the direction shoulder has the responsibility to work together to create the future

中山龙辰环保科技有限公司

Zhongshan longchen environmental protection technology co. LTD

陈先生 销售Sales
Mr. Chen

张先生 售后After sales
Mr. Zhang

Mob : 133 2291 0858 Mob : 182 0760 0268

Tel : 400-668-4188

Fax : 0760-85708819

E-mail : tr999666@163.com

广东省中山市火炬开发区民众街道锦丰东路18号
No.18, Jinfeng East Road, Minmin Street, Torch Development Zone,
Zhongshan City, Guangdong Province

<http://www.zslc168.com>



销售Sales



售后After sales

中山龙辰环保科技有限公司

Zhongshan longchen environmental protection technology co. LTD



荣誉证书
Certificate of honor



芯有方向 肩有担当 同芯协力 共创未来



ABOUT US 关于我们

中山龙辰环保科技有限公司坐落于伟人孙中山故乡---广东省中山市。本公司是一家集研、生产、销售及售后服务于一体的过滤器专业生产厂家，本司技术人员专注过滤器行业21年，有专业的团队和完善的服务体系;致力于环保事业，贯穿发展方针、科学创新、专业制造、诚信经营的理念。

我司生产的主要产品有：除尘滤芯、焊烟除尘滤芯、油雾滤芯、初中高效过滤器、水过滤器、天然气过滤器、液压过滤器、旋转翼、电磁阀及配件。适用行业-涂装设备 激光切割 各种抛丸喷砂 焊接烟业 天然气燃烧机 婴幼儿泳池SPA滤芯特殊粉尘 光电 锂电 钢铁 航空 建材 医药 化工 机械制造造船 汽车 矿业 印刷 冶金粉末等行业。

本公司主要滤材有：日本东丽Toray，美国唐纳森Tetratex，韩国奥斯龙Ahlstrom，美国HV,PTFE纳米覆膜，大金覆膜，日本尤尼吉可，必达福，防阻燃，防静电覆膜，防水防油，耐高温，滤油烟等。可根据客户需求订制！详情欢迎来电咨询。

Zhongshan Longchen Environmental Protection Technology Co., Ltd. is located in the hometown of Sun Yat-sen -- Zhongshan City, Guangdong Province. The company is a research, production, sales and after-sales service in one of the filter professional manufacturers, the division of technical personnel focus on the filter industry for 21 years, has a professional team and perfect service system; Committed to the cause of environmental protection, through the development policy, scientific innovation, professional manufacturing, integrity management concept.

Our main products are: dust filter, welding smoke filter, oil mist filter, junior high efficiency filter, water filter, natural gas filter, hydraulic filter, rotary wing, solenoid valve and accessories. Applicable industries - Coating equipment laser cutting various shot blasting sand blasting welding smoke industry Natural gas burner baby pool SPA filter element special dust photoelectric lithium electric steel aviation building materials pharmaceutical chemical machinery manufacturing shipbuilding automobile mining printing gold powder and other industries.

The main filter materials of the company are: Japan Toray Toray, the United States Donaldson Tetratex, South Korea Ahlstrom, the United States HV,PTFE nano coating, Daikin coating, Japan Unitech, Bitafco, anti-flame retardant, anti-static coating, waterproof and oil proof, high temperature resistance, filter smoke and so on. Can be customized according to customer needs! Please call us for more details.



除尘滤芯 Dust filter element



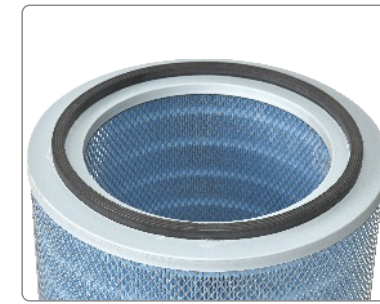
大小旋风回收系统叠装式滤芯
Cyclone recycling system
stacked filter element

Note: The model material is optional, the main material is Japan Toray film, Donaldson film, Daikin film, Ausron, domestic film and substrate.

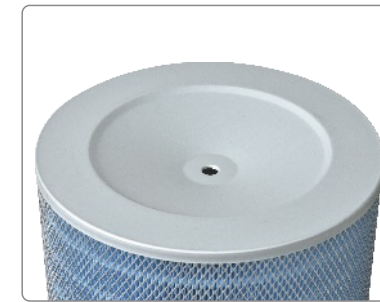
注：型号材质均可选，主要材质为日本东丽覆膜，唐纳森覆膜，大金覆膜，奥斯龙，国产覆膜及基材。



焊烟激光除尘滤芯 Welding smoke laser dust filter



顶部 upper



底部 bottom



美国唐纳森PTFE覆膜滤材
American Donaldson PTFE
coated filter material

日本东丽覆膜滤材
Japan Toray coated
filter material

日本东丽滤材
Japan Toray filter
material

日本东丽炭黑防静电覆膜滤材
Japan Toray carbon black
anti-static film filter material

PPS阻燃滤材
PPS flame retardant
filter material

技术参数/Technical parameter:

| 型号 model | 规格 specification | 精度 μm precision | 面积 area | 材质 material |
|----------|---|----------------------------|------------------|------------------------|
| LC3260 | $\Phi 325 \times 600\text{H} \times \Phi 220$ | F9 | 15m ² | 木浆纳米 Wood pulp nano |
| LC3266 | $\Phi 325 \times 660\text{H} \times \Phi 220$ | F9 | 22m ² | |
| LC3290 | $\Phi 325 \times 900\text{H} \times \Phi 220$ | F9 | 22m ² | |
| LC3566 | $\Phi 350 \times 660\text{H} \times \Phi 240$ | F9 | 22m ² | |

注：以上常用产品规格，亦可按客户要求规格承制，欢迎来电咨询！

Note: The above commonly used product specifications can also be made according to customer requirements, welcome to inquire!

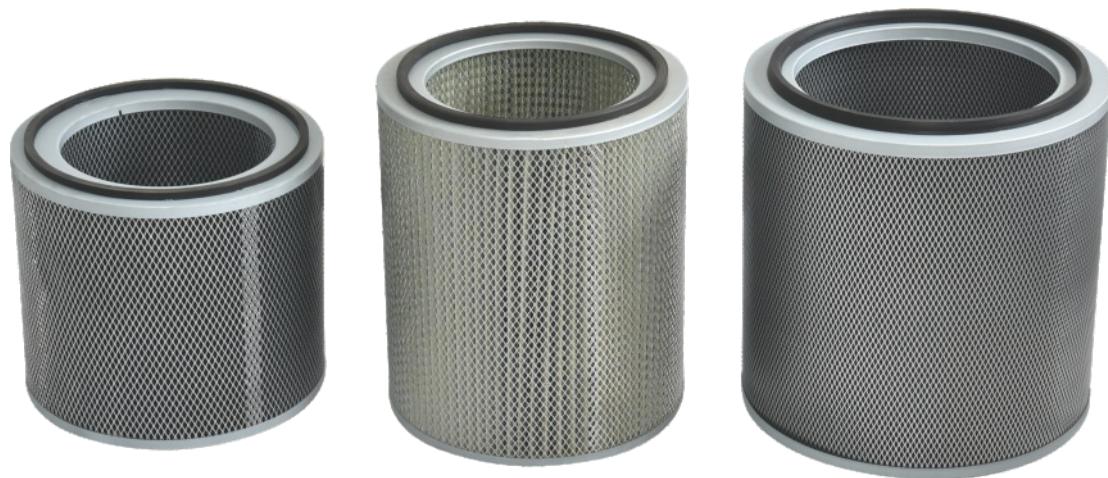
技术参数/Technical parameter:

| 型号 model | 规格 specification | 精度 μm precision | 面积 area | 材质 material |
|----------|--|----------------------------|--------------------|--------------------------|
| LC3260 | $\Phi 325 \times 600\text{H} \times \Phi 220$ | 0.3-0.5 | 7.5m ² | 覆膜 Tectorial membrane |
| LC3266 | $\Phi 325 \times 660\text{H} \times \Phi 220$ | 0.3-0.5 | 7.92m ² | |
| LC3290 | $\Phi 325 \times 900\text{H} \times \Phi 220$ | 0.3-0.5 | 10.8m ² | |
| LC3690 | $\Phi 365 \times 900\text{H} \times \Phi 279$ 椭圆 ellipse | 0.5-0.8 | 15m ² | |



油雾、油烟滤芯

Oil mist, oil smoke filter element



技术参数/Technical parameter:

| 型号 model | 规格 specification | 精度 μm precision | 面积 area | 材质 material |
|----------|---|----------------------------|--------------------|------------------|
| LC-3033 | $\Phi 300 \times 330\text{H} \times \Phi 190$ | 5微米 5micron | 3-5m ² | 可选 selectable |
| LC-3045 | $\Phi 300 \times 450\text{H} \times \Phi 190$ | | 5-7m ² | |
| LC-3525 | $\Phi 350 \times 250\text{H} \times \Phi 240$ | | 3-6m ² | |
| LC-3533 | $\Phi 350 \times 330\text{H} \times \Phi 240$ | | 4-6m ² | |
| LC-3245 | $\Phi 350 \times 450\text{H} \times \Phi 240$ | | 5-7m ² | |
| LC-4040 | $\Phi 400 \times 400\text{H} \times \Phi 292$ | | 8-9m ² | |
| LC-4440 | $\Phi 440 \times 400\text{H} \times \Phi 310$ | | 9-10m ² | |

注：以上常用产品规格，亦可按客户要求规格承制，欢迎来电咨询！

Note: The above commonly used product specifications can also be made according to customer requirements, welcome to inquire!

新能源滤芯

New energy filter element



技术参数/Technical parameter:

| 型号 model | 尺寸 Size L*W*H(mm) | 总高度(mm) Total height | S过滤面积 S Filter area (m ²) |
|----------|---|-------------------------|--|
| LC-1260 | $\Phi 120 \times 600\text{H} \times \Phi 75$ | 610 | 1-1.8 |
| LC-1290 | $\Phi 120 \times 900\text{H} \times \Phi 75$ | 910 | 1.5-2.5 |
| LC-1560 | $\Phi 150 \times 600\text{H} \times \Phi 100$ | 610 | 1.2-2 |
| LC-1590 | $\Phi 150 \times 900\text{H} \times \Phi 100$ | 910 | 1.7-2.7 |
| LC-2060 | $\Phi 200 \times 600\text{H} \times \Phi 135$ | 610 | 2.5-4 |
| LC-2090 | $\Phi 200 \times 900\text{H} \times \Phi 135$ | 910 | 4-6 |

注：以上规格为常用规格，可根据客户需求定制各种型号。

Note: The above specifications are common specifications, and various models can be customized according to customer needs.



泳池滤芯、水过滤滤芯

Pool filter, water filter



技术参数/Technical parameter:

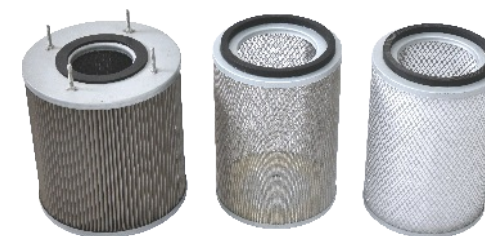
| 型号 model | 尺寸Size L*W*H(mm) | 过滤面积 Filter area (m ²) | 最大流量(m ³ /h) Maximum flow rate |
|-------------|---------------------|---------------------------------------|--|
| LC-25 | Φ180*180H*Φ80 | 2.25 | 5.5 |
| LC-50 | Φ180*360H*Φ80 | 4.63 | 11.4 |
| LC-75 | Φ180*540H*Φ80 | 7.00 | 17.0 |
| LC-100 | Φ180*730H*Φ80 | 9.40 | 22.9 |
| LC-150 | Φ180*900H*Φ80 | 13.72 | 33.4 |
| LC-200 | Φ180*1100H*Φ80 | 16.82 | 40.9 |

注：以上常用产品规格，亦可按客户要求规格承制，欢迎来电咨询！

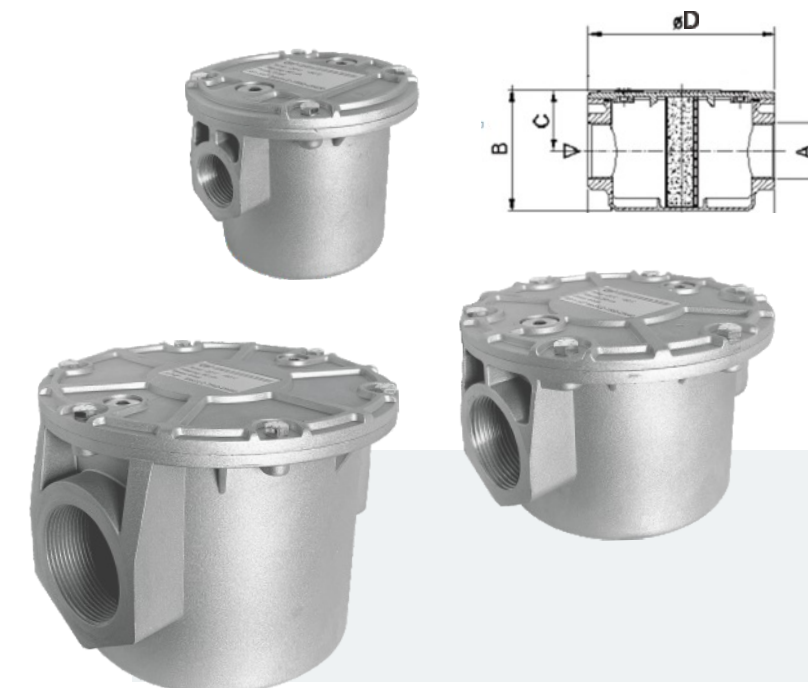
Note: The above commonly used product specifications can also be made according to customer requirements, welcome to inquire!

天然气滤芯

Natural gas filter element



鼓风机过滤器 Blower filter



- 1, 适用气体：天然气，液化石油气，或其他无腐蚀性气体。
- 2, 连接方式：螺纹接口 (DN15-DN50) 符合ISO7/1标准
接口 (DN15-DN50) 符合ISO7005标准
- 3, 最高工作压力：2bar-6bar;
- 4, 等级：A级 (符合欧洲BS EN126准则)
- 5, 口径：螺纹1/2", 3/4", 1", 1" 1/4, 1" 1/2, 2" (ISO 7/1)
- 6, 过滤精度：≤50μm
- 7, 工作温度：-15℃—+80℃

1. Applicable gas: natural gas, liquefied petroleum gas, or other non-corrosive gases.
2. Connection method: Thread interface (DN15-DN50) meets ISO7 / 1 standard interface (DN15-DN50) meets ISO7005 standard
3. Maximum working pressure: 2bar-6bar;
- 4, grade: A (in line with European BS EN126 guidelines)
- 5, Caliber: Thread 1/2", 3/4", 1", 1" 1/4, 1" 1/2, 2" (ISO 7/1)
6. Filtration accuracy: ≤50μm
7. Working temperature: -15 °C — + 80 °C

技术参数/Technical parameter:

| 型号 model | 规格 specification | A | B(mm) | C(mm) | ΦD(mm) |
|-------------|---------------------|-----------|-------|-------|--------|
| LC-TRQ-DN15 | DN15 | RP 1/2" | 94 | 38 | 120 |
| LC-TRQ-DN20 | DN20 | RP 3/4" | 94 | 38 | 120 |
| LC-TRQ-DN25 | DN25 | RP 1" | 105 | 55 | 160 |
| LC-TRQ-DN32 | DN32 | RP 1" 1/4 | 105 | 55 | 160 |
| LC-TRQ-DN40 | DN40 | RP 1" 1/2 | 105 | 55 | 160 |
| LC-TRQ-DN50 | DN50 | RP 2" | 140 | 75 | 185 |



初中高效过滤器 Junior high efficiency filter



初效过滤器
Primary filter



中效过滤器
Medium efficiency filter



高效过滤器
High efficiency filter



高效无隔板
High efficiency
without partition

技术参数/Technical parameter:

| 型号 model | 尺寸Size L*W*H(mm) | 额定风量(m³/H) Rated air volume | 初阻力 Initial resistance | 效率 Efficiency |
|--|---------------------|--------------------------------|---------------------------|-------------------------------------|
| 铝框初效过滤器 Aluminum frame primary filter | 595*595*30T | 3600 | 45 | 75%(G3级level) & 85%(G5级level) |
| | 595*595*46T | 3400 | | |
| 铝框初效过滤器 Aluminum frame primary filter | 610*610*80T | 3600 | 30 | 85% (G5级level) |
| | 610*610*95T | 3800 | | |
| 中效过滤器PET-6 Medium effect filter | 595*595*46T | 1500 | ≤125 | 98% |
| 中效过滤器PET-6 Medium effect filter | 595*440*60T | 1400 | | |
| 中效过滤器PET-11 Medium effect filter | 595*495*80T | 2000 | | |
| 中效过滤器PET-14 Medium effect filter | 750*510*85T | 2500 | | |
| 高效过滤器TSH-8B High efficiency filter | 595*595*100T | 800 | ≤220 | ≥99.99% |
| 高效过滤器TSH-10C High efficiency filter | 610*610*150T | 1000 | | |
| 高效过滤器TSH-15H High efficiency filter | 630*630*220T | 1500 | | |
| 高效过滤器TSH-21 High efficiency filter | 610*610*290T | 2100 | | |

注：以上常用产品规格，亦可按客户要求规格承制，欢迎来电咨询！

Note: The above commonly used product specifications can also be made according to customer requirements, welcome to inquire!



液化滤芯多集合
Multiple sets of liquefied filter element



船用滤芯集合
Marine filter element collection