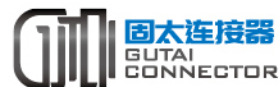


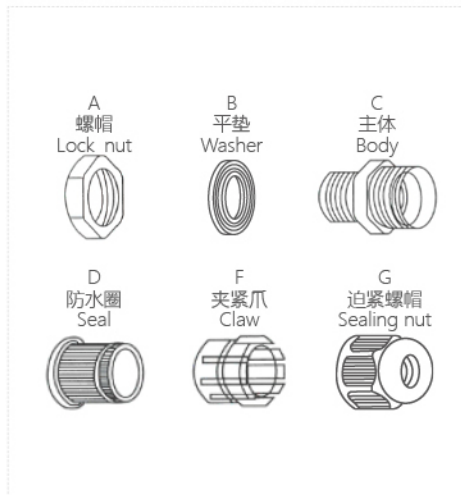
加强环保电缆防水接头

Strengthen the waterproof joint of environmentally friendly cables



M/PG CE ROHS IP68 REACH

产品材质: A.C.E.F 部位采用 UL 认可的尼龙 PA66, B.D 部位采用丁腈橡胶。
 螺纹规格: 公制 (Metric), 德制 (PG), 英制 (G), 美制 (NPT)。
 颜色种类: 黑色 (RAL9005), 浅灰 (RAL7035), 银色 (RAL7001) 特殊颜色可定做。
 工作温度: 静态 -40°C 至 100°C, 瞬时耐热至 120°C 动态 -20°C 至 80°C, 瞬时耐热至 100°C。
 产品特性: 特殊的夹紧爪与橡胶件设计, 夹紧电缆范围大, 抗拉力特强, 可防水, 防尘, 防盐, 耐酸碱, 酒精, 油脂及一般溶剂。
 Material: Parts A.C.E.F are made of UL approved nylon PA66, parts B and D are made of nitrile butadiene rubber (NBR).
 Thread spec: Metric, PG, G, NPT.
 Color: Black (RAL9005), light grey (RAL7035), silver (RAL7001) as well as special colors that can be designed at request.
 Working temperature: -40°C to 100°C in static state, instantaneous heat resistance up to 120°C, -20°C to 80°C in dynamic state, instantaneous heat resistance up to 100°C.
 Characteristics: Special design of clamping die and rubber part, large range in clamping cable, ultra-strong stretching resistance, waterproof dustproof and high ability to resist salt, acid, alkali, alcohol, grease and general solvent.



规格参数

单位: mm

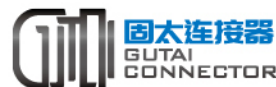
规格 Item	螺纹规格 Thread Size	适用电缆 Cable Range	螺纹外径 AG Thread O.D	螺纹长度 GL Thread Length	扳手直径 Spanner Size A&F
PG7S	PG7	3-6.5	12.5	9	18/19
PG7	PG7	4-8	12.5	9	18/19
PG9	PG9	4-8	15.2	10	22/22
PG11	PG11	5-10	18.6	10	24/22
PG13.5	PG13.5	6-12	20.4	10	27/27
PG16	PG16	7-14	22.5	10	33/33
PG21	PG21	13-18	28.3	12	41/41
PG29	PG29	18-25	37	13	50/50
PG36	PG36	24-32	47	16	60/62
PG42	PG42	31-41	54	21	64/62
PG48	PG48	35-45	59.3	21	75/75

规格 Item	螺纹规格 Thread Size	适用电缆 Cable Range	螺纹外径 AG Thread O.D	螺纹长度 GL Thread Length	扳手直径 Spanner Size A&F
M12S	M12×1.5	3-6.5	12	9	18/19
M12	M12×1.5	4-8	12	9	18/19
M16S	M16×1.5	4-8	16	9	18/19
M16	M16×1.5	5-10	16	9	22/22
M18	M18×1.5	5-10	20	9	24/24
M20S	M20×1.5	6-12	20	10	27/27
M20	M20×1.5	8.5-14	20	10	27/27
M25S	M25×1.5	8.5-14	25	12	33/33
M25	M25×1.5	13-18	25	12	33/33
M32	M32×1.5	18-25	32	13	41/41
M40	M40×1.5	24-32	40	16	50/50
M50	M50×1.5	30-40	50	21	60/62
M63	M63×1.5	35-45	63	21	75/75



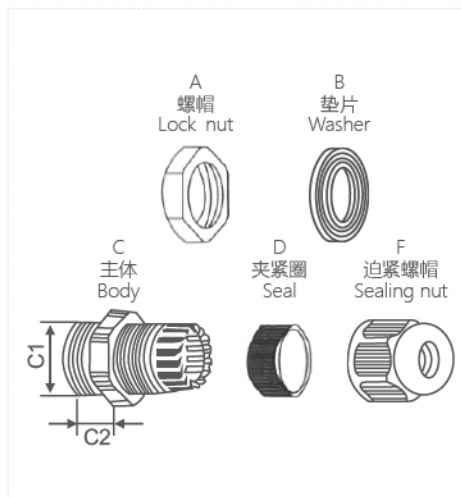
PG.M 型电缆防水接头

PG. M type cable waterproof joint



SC-PG CE ROHS IP68 REACH

产品材质: UL 认可的尼龙 PA66, 丁腈橡胶。
 螺纹规格: 公制 (Metric), 德制 (PG), 英制 (G), 美制 (NPT)。
 工作温度: 静态 -40°C 至 100°C, 瞬时耐热至 120°C, 动态 -20°C 至 80°C, 瞬时耐热至 100°C。
 产品特性: 特殊的夹紧爪与橡胶件设计, 夹紧范围大, 抗拉力特强, 可防水, 防尘, 防盐, 耐酸碱, 酒精, 油脂及一般溶剂。
 颜色种类: 黑色, 灰色, 特殊颜色 (白色、红色、蓝色、深灰色) 可定做。
 Material: UL approved nylon PA66, Nitrilebutadienerubber(NBR).
 Thread specification: Metric, PG, G, NPT.
 Working temperature: -40°C to 100°C in static state, instantaneous heat resistance up to 120°C, -20°C to 80°C in dynamic state instantaneous heat resistance up to 100°C.
 Characteristics: Special design of clamping die and rubber part, large range in clamping cable, ultra-strong stretching resistance waterproof, dustproof, and high ability to resist salt, acid, alkali, alcohol, grease and general solvent.
 Color: Black, grey as special colors (white, red, blue, dark grey) that can be designed at request.



规格参数

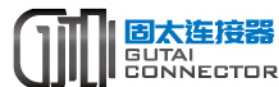
单位: mm

规格 Item	螺纹规格 Thread Size	开孔尺寸 Size of hole	螺纹长度 Length of thread	壁厚 Wall thickness	适用电缆 Applicable to cable	扳手尺寸 Wrench size
SC-PG7	12.5	Φ12.6-13	9	3	3-6.5	18/16
SC-PG7	12.5	Φ12.6-13	9	3	2-5	18/16
SC-PG9	15.2	Φ15.3-15.5	9	3	4-8	22/19
SC-PG9	15.2	Φ15.3-15.5	9	3	2-6	22/19
SC-PG11	18.6	Φ18.7-19	9	3	5-10	24/22
SC-PG11	18.6	Φ18.7-19	9	3	3-7	24/22
SC-PG13.5	20.4	Φ20.5-21	9	4	6-12	27/24
SC-PG13.5	20.4	Φ20.5-21	9	4	5-9	27/24
SC-PG16	22.5	Φ22.6-23	10	5	10-14	30/27
SC-PG16	22.5	Φ22.6-23	10	5	6-12	30/27
SC-PG19	24	Φ24.2-24.5	10	5	12-15	30/28
SC-PG19	24	Φ24.2-24.5	10	5	8-12	30/28
SC-PG21	28.3	Φ28.5-29	12	5	13-18	36/33
SC-PG21	28.3	Φ28.5-29	12	5	9-16	36/33
SC-PG25	30	Φ30.2-30.5	12	6	15-22	37/35
SC-PG25	30	Φ30.2-30.5	12	6	16-20	37/35
SC-PG29	37	Φ37.2-37.5	12	6	18-25	45/42
SC-PG29	37	Φ37.2-37.5	12	6	13-20	45/42
SC-PG36	47	Φ47.3-48	17	7	22-32	58/52
SC-PG36	47	Φ47.3-48	17	7	20-26	58/52
SC-PG42	54	Φ54.5-55	19	7	32-38	65/60
SC-PG42	54	Φ54.5-55	19	7	25-31	65/60
SC-PG48	59.3	Φ60-61	19	7	37-44	70/69
SC-PG48	59.3	Φ60-61	19	7	25-36	70/69
SC-PG63	71	Φ71.5-72	27	19	42-52	83/75
SC-PG63	71	Φ71.5-72	27	19	32-40	83/75



PG.M 型电缆防水接头

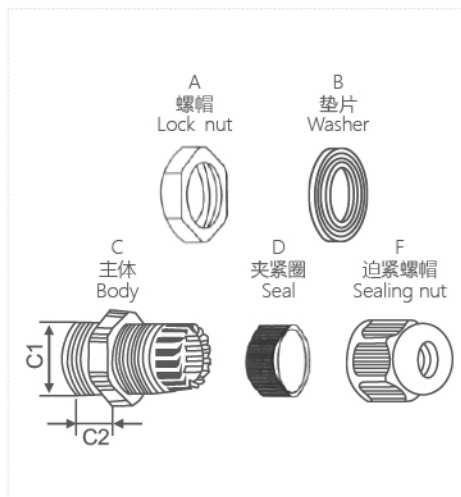
PG. M type cable waterproof joint



SC-M

CE ROHS IP68 REACH

产品材质: UL 认可的尼龙 PA66, 丁腈橡胶。
 螺纹规格: 公制 (Metric), 德制 (PG), 英制 (G), 美制 (NPT)。
 工作温度: 静态 -40°C 至 100°C, 瞬时耐热至 120°C, 动态 -20°C 至 80°C, 瞬时耐热至 100°C。
 产品特性: 特殊的夹紧爪与橡胶件设计, 夹紧范围大, 抗拉力特强, 可防水, 防尘, 防盐, 耐酸碱, 酒精, 油脂及一般溶剂。
 颜色种类: 黑色, 灰色, 特殊颜色 (白色、红色、蓝色、深灰色) 可定做。
 Material: UL approved nylon PA66, Nitrilebutadienerubber(NBR).
 Thread specification: Metric, PG, G, NPT.
 Working temperature: -40°C to 100°C in static state, instantaneous heat resistance up to 120°C, -20°C to 80°C in dynamic state instantaneous heat resistance up to 100°C.
 Characteristics: Special design of clamping die and rubber part, large range in clamping cable, ultra-strong stretching resistance waterproof, dustproof, and high ability to resist salt, acid, alkali, alcohol, grease and general solvent.
 Color: Black, grey as special colors (white, red, blue, dark grey) that can be designed at request.



规格参数

单位: mm

规格 Item	螺纹规格 Thread Size	开孔尺寸 Size of hole	螺纹长度 Length of thread	壁厚 Wall thickness	适用电缆 Applicable to cable	扳手尺寸 Wrench size
SC-M12	M12×1.5	Φ12.2-12.5	9	3	3-6.5	18/16
SC-M12	M12×1.5	Φ12.2-12.5	9	3	2-5	18/16
SC-M16	M16×1.5	Φ16.2-16.5	9	3	4-8	22/19
SC-M16	M16×1.5	Φ16.2-10.5	9	3	2-6	22/19
SC-M18	M18×1.5	Φ18.2-18.5	9	3	5-10	24/22
SC-M18	M18×1.5	Φ18.2-18.5	9	3	3-7	24/22
SC-M20	M20×1.5	Φ20.2-20.5	9	5	6-12	27/24
SC-M20	M20×1.5	Φ20.2-20.5	9	4	5-9	27/24
SC-M22	M22×1.5	Φ22.2-22.5	10	5	10-14	30/27
SC-M22	M22×1.5	Φ22.2-22.5	10	5	6-12	30/27
SC-M24	M24×1.5	Φ24.2-24.5	10	5	12-15	33/28
SC-M24	M24×1.5	Φ24.2-24.5	10	5	10-12	33/28
SC-M25	M25×1.5	Φ25.2-25.5	10	5	13-15	33/28
SC-M25	M25×1.5	Φ25.2-25.5	10	5	8-12	33/28
SC-M25	M25×1.5	Φ25.2-25.5	12	5	13-18	33/30
SC-M25	M25×1.5	Φ25.2-25.5	12	5	9-16	33/33
SC-M27	M27×1.5	Φ27.2-27.5	12	5	13-18	35/33
SC-M27	M27×1.5	Φ27.2-27.5	12	6	9-16	35/33
SC-M30	M30×1.5	Φ30.2-30.5	12	6	16-22	37/37
SC-M30	M30×1.5	Φ30.2-30.5	12	6	16-20	37/37
SC-M32	M32×1.5	Φ32.2-32.5	12	6	16-21	39/35
SC-M32	M32×1.5	Φ32.2-32.5	12	6	13-18	39/35
SC-M36	M36×1.5	Φ36.2-37	12	6	18-25	45/42
SC-M36	M36×1.5	Φ36.2-37	12	7	13-20	45/42
SC-M40	M40×1.5	Φ40.2-41	17	7	20-26	52/52
SC-M40	M40×1.5	Φ40.2-41	17	7	22-32	52/52
SC-M50	M50×1.5	Φ50.5-51	19	10	32-38	60/60
SC-M50	M50×1.5	Φ50.5-51	19	10	25-36	60/60
SC-M63	M63×1.5	Φ63.5-64	19	10	37-44	74/69
SC-M63	M63×1.5	Φ63.5-64	19	10	29-35	74/69
SC-M70	M72×1.5	Φ72.5-73	27	15	42-52	83/77
SC-M70	M72×1.5	Φ72.5-73	27	15	32-40	83/77



G/NPT/BSP 电缆防水接头

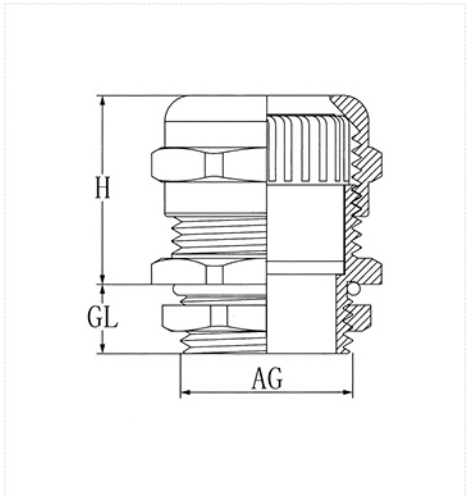
G/NPT/BSP cable waterproof joint



G **CE ROHS IP68 REACH**

材质: 镀镍黄铜
 夹紧件: 采用尼龙塑料 PA66. UL94-V2
 密封件: 丁腈橡胶、硅橡胶
 防水圈: 丁腈橡胶、硅橡胶
 防水等级: IP68-10 巴压力
 工作温度: 静态: -40°C到 100°C, 短时间达 120°C
 动态: -20°C到 80°C, 短时间达 100°C

Material: Nickel-plated brass
 Claw: PA66 (Nylon), UL94-V2
 Hermetic seal: NBR, Silicone rubber
 O-Ring: NBR, Silicone rubber
 Protection degree: IP68-10 bar
 Temperature: Static state: -40 oC to 100 oC, Short time to 120oC; Dynamic state: -20oC to 80oC, Short time to 100oC



规格参数

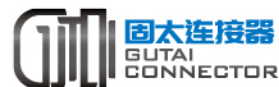
单位: mm

规格 Item	适用范围 Φ Range	螺纹长度 GL Thread Length	螺纹外径 AG Thread O.D.	接合长度 H Joint Length	扳手径 Spanner size
G1/4"	3-6.5	6.5	13.1	13.5	15
G3/8"	4-8	8	16.6	17	19
G1/2"	6-12	8	20.9	22	22/23
G3/4"	13-18	9	26.4	25	30
G1"	18-25	10	32.2	29	40
G1-1/4"	25-33	11	41.9	35	50
G1-1/2"	32-38	12	47.8	37	57/55
G2"	37-44	14	59.6	38	65



G/NPT/BSP 电缆防水接头

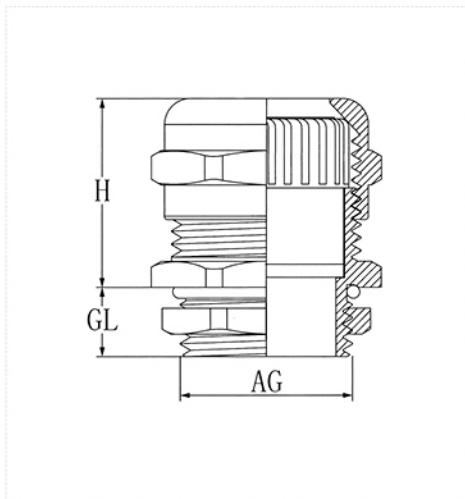
G/NPT/BSP cable waterproof joint



NPT CE ROHS IP68 REACH

材质: 镀镍黄铜
 夹紧件: 采用尼龙塑料 PA66. UL94-V2
 密封件: 丁腈橡胶、硅橡胶
 防水圈: 丁腈橡胶、硅橡胶
 防水等级: IP68-10 巴压力
 工作温度: 静态: -40°C到 100°C, 短时间达 120°C
 动态: -20°C到 80°C, 短时间达 100°C

Material: Nickel-plated brass
 Claw: PA66 (Nylon), UL94-V2
 Hermetic seal: NBR, Silicone rubber
 O-Ring: NBR, Silicone rubber
 Protection degree: IP68-10 bar
 Temperature: Static state: -40oC to 100oC, Short time to 120oC; Dynamic state: -20oC to 80oC, Short time to 100oC



规格参数

单位: mm

规格 Item	适用范围 Φ Range	螺纹长度 GL Thread Length	螺纹外径 AG Thread O.D.	接合长度 H Joint Length	扳手径 Spanner size
NPT1/4"	3-6.5	6.5	13.1	13.5	15
NPT3/8"	4-8	8	16.6	17	19
NPT1/2"	6-12	8	20.9	22	22/23
NPT3/4"	13-18	9	26.4	25	30
NPT1"	18-25	10	32.2	29	40



G/NPT/BSP 电缆防水接头

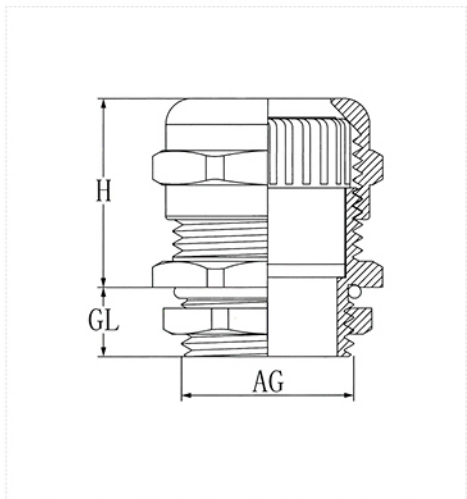
G/NPT/BSP cable waterproof joint



BSP CE ROHS IP68 REACH

材质: 镀镍黄铜
 夹紧件: 采用尼龙塑料 PA66. UL94-V2
 密封件: 丁腈橡胶、硅橡胶
 防水圈: 丁腈橡胶、硅橡胶
 防水等级: IP68-10 巴压力
 工作温度: 静态: -40°C到 100°C, 短时间达 120°C
 动态: -20°C到 80°C, 短时间达 100°C

Material: Nickel-plated brass
 Claw: PA66 (Nylon), UL94-V2
 Hermetic seal: NBR, Silicone rubber
 O-Ring: NBR, Silicone rubber
 Protection degree: IP68-10 bar
 Temperature: Static state: -40 oC to 100 oC, Short time to 120oC; Dynamic state: -20oC to 80oC, Short time to 100oC



规格参数

单位: mm

规格 Item	适用范围 Φ Range	螺纹长度 GL Thread Length	螺纹外径 AG Thread O.D.	接合长度 H Joint Length	扳手径 Spanner size
BSP1/4"	3-6.5	6.5	13.1	13.5	15
BSP3/8"	4-8	8	16.6	17	19
BSP1/2"	6-12	8	20.9	22	22/23
BSP3/4"	13-18	9	26.4	25	30
BSP1"	18-25	10	32.2	29	40
BSP1-1/4"	25-33	11	41.9	35	50
BSP1-1/2"	32-38	12	47.8	37	57/55
BSP2"	37-44	14	59.6	38	65



加长型电缆防水接头

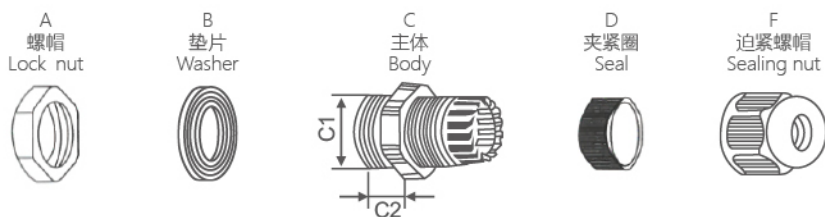
Extended cable waterproof joint



PG CE ROHS IP68 REACH

产品材质: UL 认可的尼龙 PA66, 丁腈橡胶。
 螺纹规格: 公制 (Metric), 德制 (PG), 英制 (G), 美制 (NPT)。
 工作温度: 静态 -40°C 至 100°C, 瞬时耐热至 120°C, 动态 -20°C 至 80°C, 瞬时耐热至 100°C。
 产品特性: 特殊的夹紧爪与橡胶件设计, 夹紧范围大, 抗拉力特强, 可防水, 防尘, 防盐, 耐酸碱, 酒精, 油脂及一般溶剂。
 颜色种类: 黑色, 灰色, 特殊颜色 (白色、红色、蓝色、深灰色) 可定做。

Material: UL approved nylon PA66, Nitrilebutadienerubber (NBR).
 Thread specification: Metric, PG, G, NPT.
 Working temperature: -40°C to 100°C in static state, instantaneous heat resistance up to 120°C, -20°C to 80°C in dynamic state instantaneous heat resistance up to 100°C.
 Characteristics: Special design of clamping die and rubber part, large range in clamping cable, ultra-strong stretching resistance waterproof, dustproof, and high ability to resist salt, acid, alkali, alcohol, grease and general solvent.
 Color: Black, grey as special colors (white, red, blue, dark grey) that can be designed at request.



规格参数

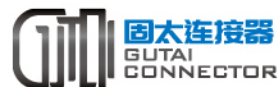
单位: mm

规格 Item	螺纹规格 Thread Size	开孔尺寸 Size of hole	螺纹长度 Length of thread	壁厚 Wall thickness	适用电缆 Applicable to cable	扳手尺寸 Wrench size
PG7	12.5	Φ12.6-13	15	3	3-6.5	18/16
PG9	15.2	Φ15.3-15.5	15	3	4-8	22/19
PG11	18.6	Φ18.7-19	15	3	5-10	24/22
PG13.5	20.4	Φ20.5-21	15	4	6-12	27/24
PG21	28.3	Φ28.5-29	15	5	13-18	36/33
PG25	30	Φ30.2-30.5	15	6	16-21	37/35



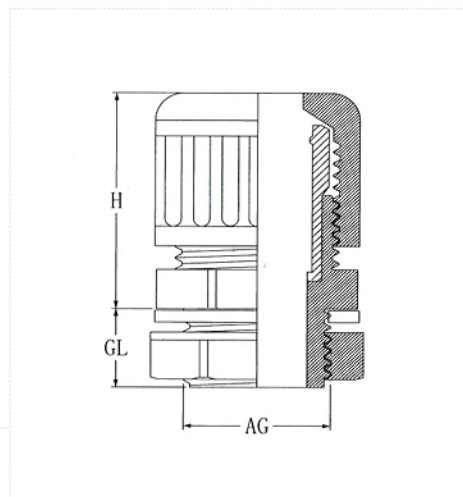
浪管快速接头

Wave tube quick connector



M/PG/G CE ROHS IP68 REACH

材质： 采用 UL 认可的尼龙材料 PA66
 颜色定制： 灰色、黑色其他颜色可以定制
 工作温度： 静态：-40°C到 100°C，短时间达 120°C
 动态：-20°C到 80°C，短时间达 100°C
 Material: PA66(Nylon),UL 94V-2
 Color: Grey, Black, other color customizec
 Temperature: Static state:-40 °C to 100 °C ,shorttime to 120 °C ;Dynamic state:-20 °C to 80 °C ,short time to 100°C



单位: mm

规格参数

规格 Item	适用软管 Conduit size	螺纹外径 Thread O.D.	螺纹长度 GL
M12×1.5	AD10.0	12	9
M16×1.5	AD13.0	16	15
M16×1.5	AD15.8	16	15
M20×1.5		20	15
M22×1.5		22	15
M25×1.5	AD18.5	25	15
M16×1.5		16	15
M20×1.5		20	15
M22×1.5	AD21.2	22	15
M20×1.5		20	15
M25×1.5		25	15
M25×1.5	AD25.0	25	15
M25×1.5	AD26.2	25	15
M25×1.5	AD28.5	25	15
M32×1.5	AD34.5	32	15
M50×1.5	AD48	50	15
M50×1.5	AD54.5	50	22
M63×1.5		63	25
M50×1.5	AD60	50	22
M63×1.5		63	25

规格 Item	适用软管 Conduit size	螺纹外径 Thread O.D.	螺纹长度 GL
PG7	AD10.0	12.5	9
PG9		15.2	9
PG11		18.6	10
PG13.5	AD15.8	20.4	10
PG16		22.5	10.8
PG13.5	AD18.5	20.4	10
PG16		22.5	10.8
PG16		22.5	13
PG21	AD21.2	28.3	13
PG21	AD28.5	28.3	13
PG29	AD34.5	37	13
PG36	AD42.5	47	13
PG48	AD54.5	59.3	16
PG48	AD60	59.3	16
G(PF)1/4	AD10.0	13.1	9
G(PF)3/8	AD13.0	16.6	15
G(PF)1/2	AD15.8	20.9	15
G(PF)1/2	AD18.5	20.9	15
G(PF)1/2	AD21.2	20.9	15
G(PF)3/4		26.4	15
G(PF)3/4	AD28.5	26.4	15
G(PF)1	AD34.5	33.2	15
G(PF)1 1/4	AD42.5	41.9	15
G(PF)1 1/2	AD54.5	48	15
G(PF)2		60	15
G(PF)1 1/2		48	15
G(PF)2	AD60	60	15



波纹管快速接头

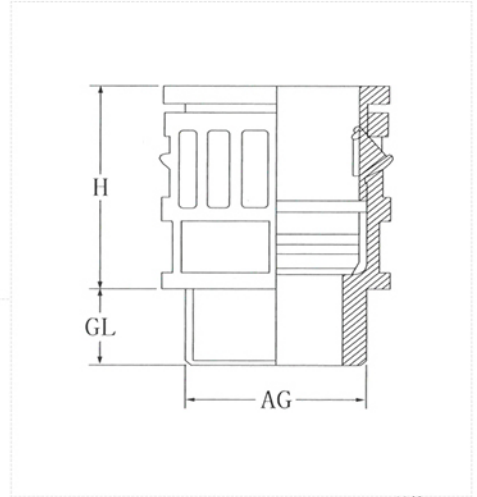
Bellows quick connector



M/PG/G CE ROHS IP68 REACH

材质： 采用 UL 认可的尼龙材料 PA66
 颜色定制： 灰色、黑色其他颜色可以定制
 工作温度： 静态：-40°C到 100°C，短时间达 120°C
 动态：-20°C到 80°C，短时间达 100°C

Material: PA66(Nylon),UL 94 V-2
 Color: Grey, Black, other color customizec
 Temperature: Static state:-40 °C to 100 °C ,shorttime to 120 °C ;Dynamic state:-20 °C to 80 °C ,short time to 100°C



单位: mm

规格参数

规格 Item	适用软管 Conduit size	螺纹外径 AG Thread O.D	螺纹长度 GL ThreadLength	规格 Item	适用软管 Conduit size	螺纹外径 AG Thread O.D	螺纹长度 GL ThreadLength
M12×1.5	AD10.0	12	8.5	M63×1.5	AD54.5	60	16
M12×1.5	AD13.0	12	10	PG7	AD10.0	12.4	8.5
M16×1.5		16	10	PG9	AD13.0	15.2	10
M18×1.5	AD15.8	18	10	PG11	AD15.8	18.4	12.5
M16×1.5		16	10	PG13.5	AD18.5	20.4	12.5
M18×1.5		18	12.5	PG16	AD21.2	22.5	13
M20×1.5	AD18.5	20	12.5	PG21	AD28.5	28.3	13
M20×1.5		20	12.5	PG29	AD34.5	37	14
M22×1.5	AD21.2	22	12.5	PG36	AD42.5	47	15
M20×1.5		20	13	PG42	AD54.5	54	16
M24×1.5		24	13	PG48		59.3	16
M25×1.5	AD25.0	25	13	G(PF) 1/4	AD10.0	13.1	8.5
M25×1.5		25	13	G(PF) 3/8	AD15.8	16.6	12.5
M25×1.5	AD28.5	25	13	G(PF) 1/2		20.9	12.5
M27×1.5		27	13	G(PF) 1/2	AD18.5	20.9	12.5
M30×1.5		30	13	G(PF) 1/2	AD21.2	20.9	13
M32×1.5	AD34.5	32	13	G(PF) 3/4		26.4	13
M32×1.5		32	14	G(PF) 3/4	AD28.5	26.4	13
M36×1.5		36	14	G(PF) 1	AD34.5	33.2	14
M40×1.5	AD42.5	40	14	G(PF) 1 1/4		41.9	15
M40×1.5		40	15	G(PF) 1/2	AD42.5	48	15
M48×1.5	AD54.5	48	15	G(PF) 1 1/2		48	16
M50×1.5		50	16	G(PF) 2	AD54.5	60	16



防折弯型电缆防水接头

Anti bending type cable waterproof joint

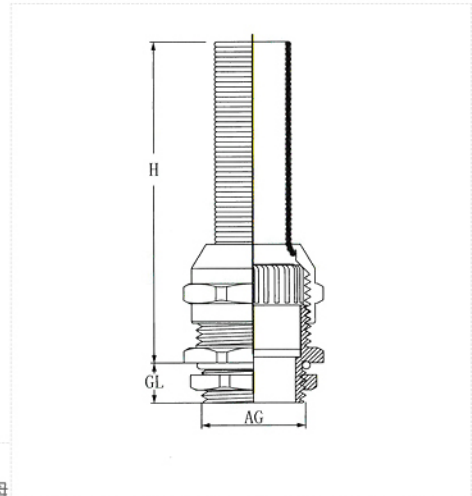


M / PC

CE ROHS IP68 REACH

外部材质: PA66/ 黄铜镀镍 / 不锈钢 304/316L
 内部芯套: 尼龙阻燃 UL94-V2
 密封件: 硅橡胶
 防水圈: 丁腈橡胶、硅橡胶等
 防护等级: IP68
 工作温度: -40°C到 100°C短时间达 120°C
 颜色定制: 灰色、黑色其他颜色可以定制

External material: Nickel-plated brass/SS304 316L/PA66
 Inner core: nylon UL94-V2 flame retardant
 Seal: Silicone rubber
 Hermetic seat: NBR, Silicone rubber
 Protection degree: IP68
 Temperature: Min-40 °C ,Max100 °C ,Short-time120 °C
 Color: Grey, Black, other color customized



规格参数 Specification parameter

单位: mm

规格 Item	适用范围 Φ Range	螺纹长度 GL Thread Length	安装孔径 Mountinghole	结合长度 H Combined length	扳手径 Spanner size
M12×1.5	3-6.5	9	12	65	18/16
M16×1.5	4-8	9	16	75	22/19
M18×1.5	5-10	9	18	77	24/22
M20×1.5	6-11	10	20	80	27/24
M22×1.5	10-13	10	22	98	30/27
M25×1.5	12-15	12	25	90	31/28
M27×1.5	13-18	12	27	100	35/33



塑料堵塞件

Plastic blocking parts

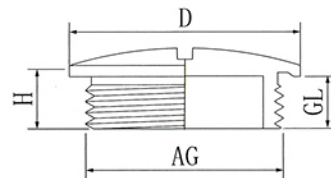


M/PG

CE ROHS IP68 REACH

材质： 采用 UL 认可的尼龙材料 PA66
 O 型圈： 丁腈橡胶、硅橡胶等
 颜色定制： 灰色、黑色其他颜色可以定制
 工作温度： 静态：-40°C到 100°C，短时间达 120°C
 动态：-20°C到 80°C，短时间达 100°C

Material: PA66(Nylon),UL 94V-2
 O-Ring: NBRsilicone rubber
 Color: Grey, Black, other color customizce
 Temperature: Static state:-40 °C to 100 °C ,shorttime to 120 °C ;Dynamic state:-20 °C to 80 °C ,short time to 100°C



规格参数

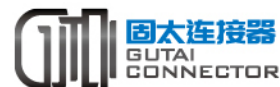
单位: mm

型号 Model	螺纹尺寸 Thread size	螺纹长度 GL	螺纹外径 Thread O.D.	主体尺寸 Body size	扳手尺寸 Spanner size
M12	M12x1.5	8.5	12	12.0	15
M16	M16x1.5	8.5	16	13.0	19
M18	M18x1.5	9.0	18	13.0	22
M20	M20x1.5	9.0	20	13.0	25
M22	M22x1.5	10.5	22	15.0	27
M25	M25x1.5	10.5	25	15.5	29
M32	M32x1.5	10.5	32	16.0	38
M40	M40x1.5	11.5	40	18.0	46
M50	M50x1.5	13.5	50	18.0	56
M63	M63x1.5	14.0	63	19.0	68
PG7	PG7	8.5	12.5	12.5	15
PG9	PG9	8.5	15.2	13.0	19
PG11	PG11	9.0	18.6	13.0	22
PG13.5	PG13.5	9.0	20.4	13.0	25
PG16	PG16	10.5	22.5	15.0	27
PG21	PG21	10.5	28.3	15.5	33
PG29	PG29	11.5	37.0	16.0	44
PG36	PG36	13.5	47.0	18.0	55
PG42	PG42	13.5	54.0	18.5	62
PG48	PG48	14.5	59.3	19.5	68



铜镀镍电缆防水接头

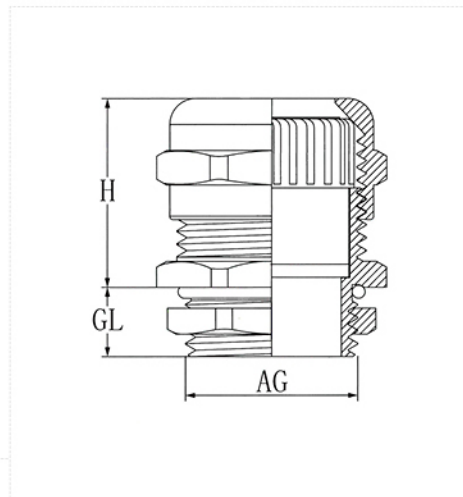
Copper nickel plated cable waterproof joint



M CE ROHS IP68 REACH

材质: 镀镍黄铜
 夹紧件: 采用尼龙塑料 PA66. UL94-V2
 密封件: 丁腈橡胶、硅橡胶
 防水圈: 丁腈橡胶、硅橡胶
 防水等级: IP68-10 巴压力
 工作温度: 静态: -40°C到 100°C, 短时间达 120°C
 动态: -20°C到 80°C, 短时间达 100°C

Material: Nickel-plated brass
 Claw: PA66 (Nylon), UL94-V2
 Hermetic seal: NBR, Silicone rubber
 O-Ring: NBR, Silicone rubber
 Protection degree: IP68-10 bar
 Temperature: Static state: -40 oC to 100 oC, Short time to 120oC; Dynamic state: -20oC to 80oC, Short time to 100oC



规格参数

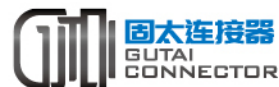
单位: mm

规格 Item	适用范围 Φ Range	螺纹长度 GL Thread Length	螺纹外径 AG Thread O.D.	接合长度 H Joint Length	扳手径 Spanner size
M8×1	2-5	5	8.0	13.5	12
M10×1	3-6.5	6.5	10.0	17	14
M12×1.5	3-6.5	6.5	12.0	17	14
M14×1.5	4-8	8	14.0	18	17
M16×1.5	4-8	8	16.0	19	18
M18×1.5	5-10	8	18.0	20	20
M20×1.5	6-12	8	20.0	21	22
M22×1.5	10-14	8	22.0	22	24
M24×1.5	10-14	9	24.0	22	24/27
M25×1.5	10-14	9	25.0	22	24/27
M25×1.5	11-16	9	25.0	25	27
M25×1.5	13-18	9	25.0	27	30/27
M27×1.5	13-18	9	27.0	27	30
M30×2	13-18	9	30.0	27	30/32
M32×1.5	15-22	10	32.0	29	35
M33×2	15-22	10	33.0	29	35/36
M36×1.5	18-25	10	36.0	31	40
M37×1.5	18-25	10	37.0	31	40
M40×1.5	18-25	11	40.0	31	40/45
M40×1.5	22-30	11	40.0	35	45
M47×1.5	25-33	11	47.0	37	50
M50×1.5	32-38	13	50.0	37	57rss
M60×1.5	37-44	14	60.0	38	64
M63×1.5	37-44	14	63.0	38	64/68



铜镀镍电缆防水接头

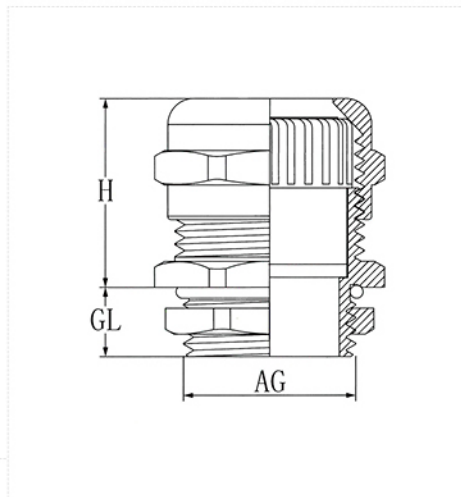
Copper nickel plated cable waterproof joint



PG CE ROHS IP68 REACH

材质: 镀镍黄铜
 夹紧件: 采用尼龙塑料 PA66. UL94-V2
 密封件: 丁腈橡胶、硅橡胶
 防水圈: 丁腈橡胶、硅橡胶
 防水等级: IP68-10 巴压力
 工作温度: 静态: -40°C到 100°C, 短时间达 120°C
 动态: -20°C到 80°C, 短时间达 100°C

Material: Nickel-plated brass
 Claw: PA66 (Nylon), UL94-V2
 Hermetic seal: NBR, Silicone rubber
 O-Ring: NBR, Silicone rubber
 Protection degree: IP68-10 bar
 Temperature: Static state: -40 oC to 100 oC, Short time to 120oC; Dynamic state: -20oC to 80oC, Short time to 100oC



规格参数

单位: mm

规格 Item	适用范围 Φ Range	螺纹长度 GL Thread Length	螺纹外径 AG Thread O.D.	接合长度 H Joint Length	扳手径 Spanner size
PG7	2-5	6.5	12.5	17	14/15
PG7	3-6.5	6.5	12.5	17	14/15
PG9	3-6.5	8	15.2	19	17/18
PG9	4-8	8	15.2	19	17/18
PG11	4-8	8	18.6	21	20/21
PG11	5-10	8	18.6	21	20/21
PG13.5	5-10	8	20.4	22	22/23
PG13.5	6-12	8	20.4	22	22/23
PG16	6-12	8	22.5	23	24/25
PG16	10-14	8	22.5	23	24/25
PG21	12-16	9	28.3	27	30
PG21	13-18	9	28.3	27	30
PG29	15-22	10	37.0	31	40
PG29	18-25	10	37.0	31	40
PG36	23-30	11	47.0	37	50
PG36	25-33	11	47.0	37	50
PG42	30-35	13	54.0	37	57
PG42	32-38	13	54.0	37	57
PG48	35-40	14	59.3	38	64
PG48	37-44	14	59.3	38	64



不锈钢电缆防水接头

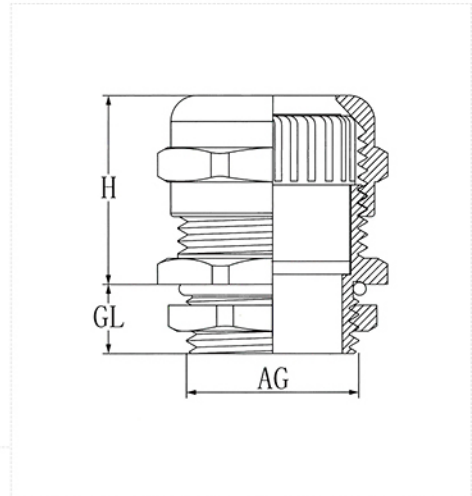
Stainless steel cable waterproof joint



M CE ROHS IP68 REACH

材质: 不锈钢 304/316L
 夹紧件: 采用尼龙塑料 PA66. UL94-V2
 密封件: 丁腈橡胶、硅橡胶
 防水圈: 丁腈橡胶、硅橡胶
 防水等级: IP68-10 巴压力
 工作温度: 静态: -40°C到 100°C, 短时间达 120°C
 动态: -20°C到 80°C, 短时间达 100°C

Material: SS304/SS316L
 Claw: PA66 (Nylon), UL94-V2
 Hermetic seal: NBR, Silicone rubber
 O-Ring: NBR, Silicone rubber
 Protection degree: IP68-10 bar
 Temperature: Static state: -40oC to 100oC, Short time to 120oC; Dynamic state: -20oC to 80oC, Short time to 100oC



规格参数

单位: mm

规格 Item	适用范围 Range	螺纹长度 GL Thread Length	螺纹外径 AG Thread O.D.	接合长度 H Joint Length	扳手径 Spanner size
M8×1	2-5	5	8	16	12
M10×1	2-5	7	10	19	14
	3-6.5	7	10	19	14
M12×1.5	2-5	7	12	19	14
	3-6.5	7	12	19	14
M14×1.5	4-8	8	12	19	17/14
	3-6	8	14	19	17
M16×1.5	4-8	8	14	19	17
	3-6	8	16	20	18
M18×1.5	4-8	8	16	20	18
	5-10	8	16	21	20/18
M20×1.5	3-7	8	18	21	20/21
	5-10	8	18	21	20/21
M22×1.5	6-12	8	18	22	22/20
	5-10	8	20	22	22
M24×1.5	6-12	8	20	22	22
	10-14	8	20	23	24/22
M25×1.5	8-12	8	22	23	24
	10-14	8	22	23	24
M27×1.5	12-16	8	22	23	2y24
	8-12	9	24	25	24/27
M30×1.5	10-14	9	24	25	24/27
	12-16	9	24	27	27
M32×1.5	8-12	9	25	25	24/27
	10-14	9	25	27	24/27
M33×2	12-16	9	25	27	24/27
	12-16	9	25	21	27
M25×1.5	13-18	9	25	27	30/27
M27×1.5	13-18	9	27	27	30
M30×1.5	13-18	9	30	29	30/32
	15-22	9	30	29	35/32
M32×1.5	13-18	10	32	29	35
	15-22	10	32	29	35
M33×2	18-25	10	32	31	40/35
	15-22	10	33	29	35/36
M36×1.5	13-18	10	36	31	40
	15-22	10	36	31	40
M40×1.5	18-25	10	36	31	40
	18-25	11	40	31	40/45
M47×1.5	22-30	11	40	35	45
	25-33	11	40	37	50/45
M48×2	25-33	11	48	37	50/52
	30-35	12	50	37	57/55
M50×1.5	32-38	12	50	37	57/55
	37-44	13	50	38	64iss
M60×1.5	37-44	13	60	38	65
	37-44	13	63	38	64/68
M63×1.5	42-52	13	63	42	78/68
	37-44	13	64	38	64/68
M64×2	42-52	13	64	42	78/68
	42-52	15	72	42	76/80
M72×2	42-52	15	72	45	76/80
	48-58	15	72	45	76/80



不锈钢电缆防水接头

Stainless steel cable waterproof joint

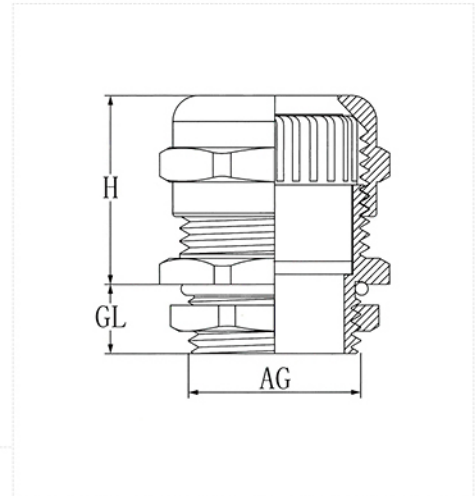


PG

CE ROHS IP68 REACH

材质: 不锈钢 304/316L
 夹紧件: 采用尼龙塑料 PA66. UL94-V2
 密封件: 丁腈橡胶、硅橡胶
 防水圈: 丁腈橡胶、硅橡胶
 防水等级: IP68-10 巴压力
 工作温度: 静态: -40°C到 100°C, 短时间达 120°C
 动态: -20°C到 80°C, 短时间达 100°C

Material: SS304/SS316L
 Claw: PA66 (Nylon), UL94-V2
 Hermetic seal: NBR, Silicone rubber
 O-Ring: NBR, Silicone rubber
 Protection degree: IP68-10 bar
 Temperature: Static state: -40oC to 100oC, Short time to 120oC; Dynamic state: -20oC to 80oC, Short time to 100oC



规格参数

单位: mm

规格 Item	适用范围 Φ Range	螺纹长度 GL Thread Length	螺纹外径 AG Thread O.D.	接合长度 H Joint Length	扳手径 Spanner size
PG7	3-6.5	7	12.5	19.0	14/15
PG9	4-8	8	15.2	20.0	17/18
PG11	5-10	8	18.6	21.0	20/21
PG13.5	6-12	8	20.4	22.0	22/23
PG16	10-14	8	22.5	23.0	24/25
PG21	13-18	9	28.3	27.0	30
PG29	18-25	10	37.0	31.0	40
PG36	25-33	11	47.0	37.0	50
PG42	32-38	13	54.0	38.0	60
PG48	37-44	14	59.3	38.0	65
PG63	42-52	16	72.0	42.0	76/80



不锈钢电缆防水接头

Stainless steel cable waterproof joint

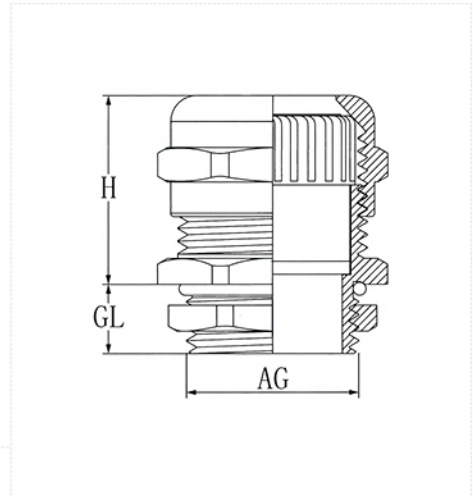


G / NPT

CE ROHS IP68 REACH

材质: 不锈钢 304/316L
 夹紧件: 采用尼龙塑料 PA66. UL94-V2
 密封件: 丁腈橡胶、硅橡胶
 防水圈: 丁腈橡胶、硅橡胶
 防水等级: IP68-10 巴压力
 工作温度: 静态: -40°C到 100°C, 短时间达 120°C
 动态: -20°C到 80°C, 短时间达 100°C

Material: SS304/SS316L
 Claw: PA66 (Nylon), UL94-V2
 Hermetic seal: NBR, Silicone rubber
 O-Ring: NBR, Silicone rubber
 Protection degree: IP68-10 bar
 Temperature: Static state: -40oC to 100oC, Short time to 120oC; Dynamic state: -20oC to 80oC, Short time to 100oC



规格参数

单位: mm

规格 Item	适用范围 Φ Range	螺纹长度 GL Thread Leng ^t	螺纹外径 AG Thread O.D.	接合长度 H Joint Length	扳手径 Spanner size
G1/4	3-6.5	7	13.1	19	14
G3/8	4-8	8	16.6	21	17/20
G1/2	6-12	8	20.9	22	22/23
G3/4	13-18	9	26.4	25	30
G1	18-25	10	32.2	29	40
G1-1/4	25-33	11	41.9	35	50
G1-1/2	32-38	12	47.8	37	57/55
G2	37-44	14	59.6	38	65
G2-1/2	42-52	16	75.1	42	78
G3	65-70	18	88	45	94
NPT1/4	3-6.5	11	13.6	19	14
NPT3/8	4-8	11	17.0	21	17/20
NPT1/2	6-12	13	21.2	23.5	22/24
NPT3/4	13-18	13	26.5	26	30
NPT1	18-25	16	33.2	33	40
NPT1-1/4	22-32	16	41.9	37.5	50
NPT1-1/2	30-38	18	48.0	38.5	55/58
NPT2	37-44	18	60.0	40	65
NPT2-1/2	42-52	18	72.6	40	77
NPT3	55-61	18	88.6	41	94



金属堵塞件·变径环

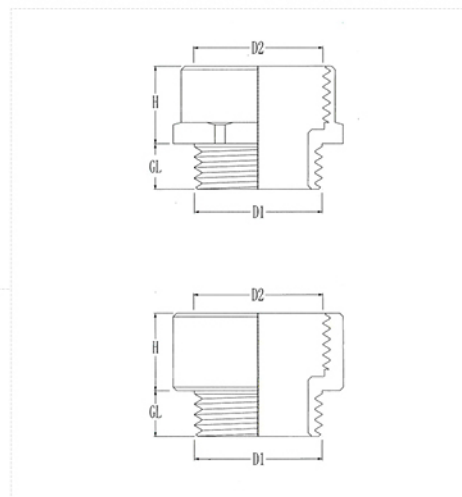
Metal blocking parts and reducing rings



M/PG

CE ROHS IP68 REACH

材质： 镀镍黄铜
 防水圈： 丁腈橡胶、硅橡胶
 防水等级： IP54
 工作温度： 静态：-40°C到 100°C，短时间达 120°C
 Material: Nickel-plated brass
 O-Ring: NBR, Silicone rubber
 Protection degree: IP54
 Temperature: Static state: -40°C to 100°C short time to 120°C



规格参数

单位: mm

规格 Item	螺纹 Thread		螺纹长度 GL	高度 H Joint Length	扳手径 Spanner size
	Outer	Inner			
M12-M16	M12×1.5	M16×1.5	5	10.5	18
M16-M20	M16×1.5	M20×1.5	5	10.5	22
M20-M25	M20×1.5	M25×1.5	6	11.5	27
M25-M32	M25×1.5	M32×1.5	7	12	34
M32-M40	M32×1.5	M40×1.5	7	13	42
M40-M50	M40×1.5	M50×1.5	8	16	52
M50-M63	M50×1.5	M63×1.5	9	17	66
PG7-PG9	PG7	PG9	6	10.5	17
PG9-PG11	PG9	PG11	6.5	10.5	20
PG11-PG13.5	PG11	PG13.5	6.5	10.5	22
PG13.5-PG16	PG13.5	PG16	6.5	11	24
PG16-PG21	PG16	PG21	7.5	11	30
PG21-PG29	PG21	PG29	8	11	39
PG29-PG36	PG29	PG36	9	13	50
PG36-PG42	PG36	PG42	10	15	57
PG42-PG48	PG42	PG48	10	16	64



金属堵塞件·变径环

Metal blocking parts and reducing rings

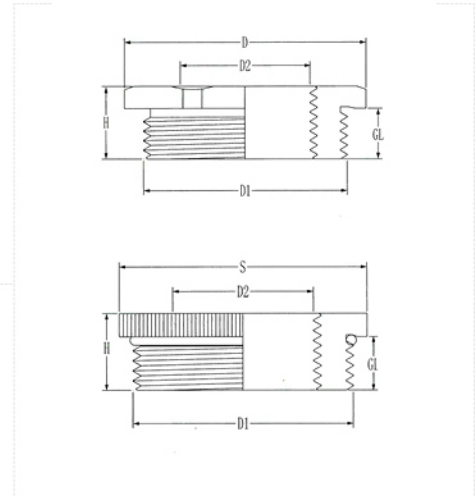
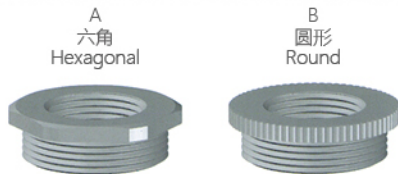


M/PG

CE ROHS IP68 REACH

材质： 镀镍黄铜
 防水圈： 丁腈橡胶、硅橡胶
 防水等级： IP54
 工作温度： 静态：-40°C到 100°C，短时间达 120°C

Material: Nickel-plated brass
 O-Ring: NBR、Silicone rubber
 Protection degree: IP54
 Temperature: Static state: -40°C to 100°C short time to 120°C



规格参数

单位: mm

规格 Item	螺纹 Thread		螺纹长度 GL	高度 H Joint Length	扳手径 Spanner size
	Outer	Inner			
M16-M12	M16×1.5	M12×1.5	6	9	18
M20-M16	M20×1.5	M16×1.5	6.5	9.5	22
M25-M20	M25×1.5	M20×1.5	7.5	10.5	27
M32-M25	M32×1.5	M25×1.5	8	11.5	35
M40-M32	M40×1.5	M32×1.5	9	12.5	45
M50-M40	M50×1.5	M40×1.5	10	14	55
M63-M50	M63×1.5	M50×1.5	10	14	68
PG9-PG7	PG9	PG7	6	9	18
PG11-PG9	PG11	PG9	6.5	9.5	20
PG13.5-PG11	PG13.5	PG11	6.5	9.5	22
PG16-PG13.5	PG16	PG13.5	6.5	9.5	24
PG21-PG16	PG21	PG16	7.5	10.5	30
PG29-PG21	PG29	PG21	8	11.5	40
PG36-PG29	PG36	PG29	9	12.5	50
PG42-PG36	PG42	PG36	10	14	57
PG48-PG42	PG48	PG42	10	14	64



金属堵塞件·变径环

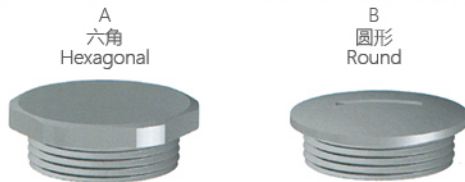
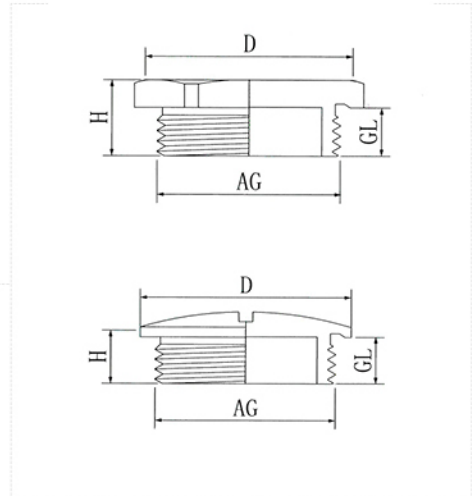
Metal blocking parts and reducing rings



M/PG

CE ROHS IP68 REACH

材质： 镀镍黄铜
 防水圈： 丁腈橡胶、硅橡胶
 防水等级： IP54
 工作温度： 静态 -40°C到 100°C，短时间达 120°C
 Material: Nickel-plated brass
 O-Ring: NBR, Silicone rubber
 Protection degree: IP54
 Temperature: Static state -40°C to 100°C short time to 120°C



规格参数

单位: mm

规格 Item	螺纹长度 GL	高度 H Joint Length	扳手径 Spanner size
PG7	5	8	14
PG9	6	9	18
PG11	6	9	20
PG13.5	6.5	9.5	22
PG16	6.5	9.5	24
PG21	7.5	11	30
PG29	8	12	40
PG36	9	15	50
PG42	10	16	57
PG48	10	16	64
M8×1	5	8	12
M10×1	5	8	12
M12×1.5	5	8	14
M16×1.5	6	9	18
M18×1.5	6	9	20
M20×1.5	6.5	9.5	22
M22×1.5	6.5	9.5	24
M24×1.5	6.5	10	27
M25×1.5	6.5	10	27
M30×1.5	6.5	10	32
M32×1.5	7	11	36
M36×1.5	8	12	40
M40×1.5	8	13	45
M50×1.5	9	15	55
M60×1.5	10	16	64
M63×1.5	10	16	68
M72×2	10	16	78



尼龙防水透气阀

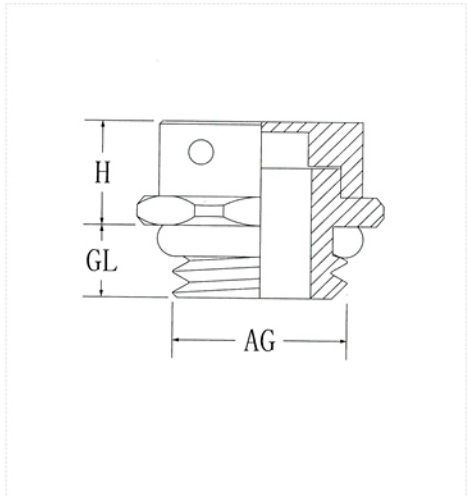
Nylon waterproof breathable valve



M CE ROHS IP68 REACH

材质: 不锈钢 / 铜镀镍 / 铝材 / 尼龙 PA6。
 颜色: 灰色、白色、黑色等颜色定制。
 温度: 防盐, -40°C到 120°C短时间达 150°C
 气流: 325 毫升 / 分钟 (0.07)
 入水压力: > 5 巴
 防护等级: 在规定电缆外径内并使用合适 O 形密封圈防护等级可以达到 IP68, 防水深度达到 3M-5M。

Material: Stainless steel/Nickel-plated brass/Aluminum/Nylon PA6
 Color: Gray,white,black and customized color
 Temperature rsistance: -40°C -100°C, short time to 120°C
 rate of air flow: 325ml/min (0.07)
 Water inlet pressure: >5bar
 Protection degree: In the specified cable outer diameter and the appropriate o-ring protection level can reach IP68, the waterproof depth reaches 3M - 5M.



功能:

- 1: 防水防尘。
- 2: 通风口。铜厂和长期保护内部设备运行在恶劣的环境。
- 3: 散热, 更换或辅助散热片, 以降低车内温度。
- 4: 延长产品使用寿命。

Function:

- 1: Waterproof,dustproof.
- 2: Vent,copper factory and protect equipment operating under terrible environment.
- 3: Cooling,replace or assist heat sink,to reduce temperature of car.
- 4: Extend the service life of products.

规格参数

单位: mm

规格 Item	空气渗透率 Air permeability	螺纹直 Thread diameter	螺纹长 Thread Length	总长度 Total length	扳手径 Spanner size
M5×0.8	60ML/Min	5	6	11.6	11
M6×1	60ML/Min	6	6	11.6	11
M10×1	182ML/Min	10	9	17	17
M12×1.5	260ML/Min	12	9	17	17
M16×1.5	748ML/Min	16	9	22	22

BF 系列为金属透气阀, PF 系列为尼龙透气阀。

BF series is Metal Breather valve , PF seires is Nylon Breather valve



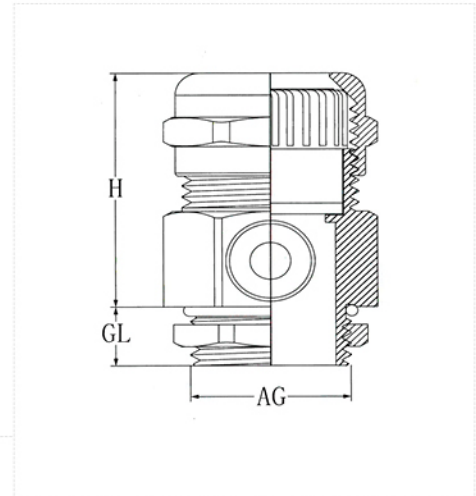
铜镀镍透气阀接头

Copper nickel plated vent valve connector



M **CE ROHS IP68 REACH**

材质: 黄铜镀镍	Material: Nickel-plated brass
芯套: 尼龙 V2(UL94)	Plastic Claw: Nylon V2(UL94)
密封件: 丁腈橡胶	Seal: NBR
工作温度: -40°C ~100°C, 短时间内可达到 120°C	Temperature: -40 °C -100 °C, short time to 120°C
阻燃等级: V2(UL94), 满足 ROHS 要求	Flame retardant degree: V2(UL94), match ROHS standard
散热透气: 2400ml/s/m ² @0.02bar	Heat dissipation permeability: 2400ml/s/m ² @0.02bar
进水压力: >5bar	Water inlet pressure: > 5bar
防护等级: 在规定电缆外径内并使用合适 O 形密封圈防护等级可以达到 IP68, 防水深度达到 3m-5m。	Protection degree: In the specified cable outer diameter and the appropriate o-ring Protection degree can reach IP68, the waterproof depth reaches 3m-5m



规格参数

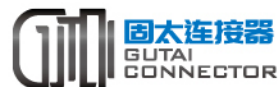
单位: mm

规格 Item	适用范围 Range	螺纹长度 GL	螺纹外径 Thread O.D.	接合长度 HJoint Length	扳手尺寸 Spanner size
M12×1.5	3-6.5	6.5	12.0	27	16
	4-8	8	12.0	27	16/14
M16×1.5	3-6	8	16.0	27	18
	4-8	8	16.0	27	18
M18×1.5	5-10	8	16.0	27	20/18
	5-10	8	18.0	29	20
M20×1.5	5-10	8	20.0	32	22
	6-12	8	20.0	32	22
M25X1.5	10-14	8	20.0	32	24/22
	8-12	9	25.0	35	24/27
	10-14	9	25.0	35	24/27
	12-16	9	25.0	35	27
M32×1.5	13-18	9	25.0	35	30/27
	13-18	10	32.0	54	35
	15-22	10	32.0	54	35
M40×1.5	18-25	10	32.0	54	40/35
	18-25	11	40.0	46	40/35
	22-30	11	40.0	50	45
M50×1.5	25-33	11	40.0	52	50/45
	32-38	13	50.0	55	57/55
M63×1.5	37-44	14	63.0	55	64/68
	42-52	14	63.0	55	78/68



铜镀镍防水透气阀

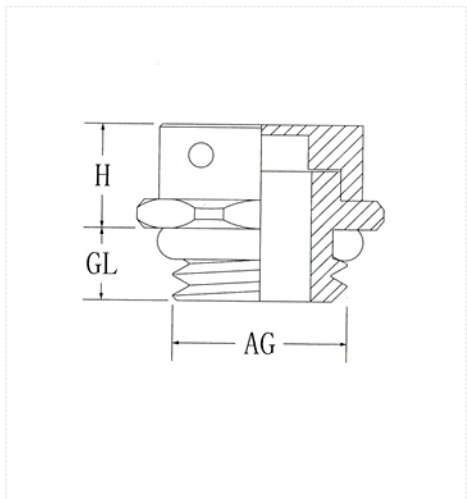
Copper nickel plated waterproof breathable valve



M CE ROHS IP68 REACH

材质: 不锈钢 / 铜镀镍 / 铝材 / 尼龙 PA6。
 颜色: 灰色、白色、黑色等颜色定制。
 温度: 防盐, -40°C到 120°C短时间达 150°C
 气流: 325 毫升 / 分钟 (0.07)
 入水压力: > 5 巴
 防护等级: 在规定电缆外径内并使用合适 O 形密封圈防护等级可以达到 IP68, 防水深度达到 3M-5M。

Material: Stainless steel/Nickel-plated brass/Aluminum/Nylon PA6
 Color: Gray,white,black and customized color
 Temperature rsistance: -40°C -100°C, short time to 120°C
 rate of air flow: 325ml/min (0.07)
 Water inlet pressure: >5bar
 Protection degree: In the specified cable outer diameter and the appropriate o-ring protection level can reach IP68, the waterproof depth reaches 3M - 5M.



功能:
 1: 防水防尘。
 2: 通风口。铜厂和长期保护内部设备运行在恶劣的环境。
 3: 散热, 更换或辅助散热片, 以降低车内温度。
 4: 延长产品使用寿命。

Function:
 1:Waterproof,dustproof.
 2:Vent,copper factory and protect equipment operating under terrible environment.
 3:Cooling,replace or assist heat sink,to reduce temperature of car.
 4:Extend the service life of products.

规格参数

单位: mm

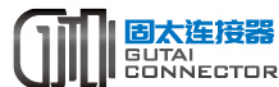
规格 Item	空气渗透率 Air permeability	螺纹直 Thread diameter	螺纹长 Thread Length	总长度 Total length	扳手径 Spanner size
M5×0.8	94ML/Min	5	6	9.5	10
M6×1	94ML/Min	6	6	15	10
M8×1	147ML/Min	8	7	16	12
M12×1.5	288ML/Min	12	7	19	14
M16×1.5	1375ML/Min	16	7	21	18
M20×1.5	2150ML/Min	20	7	21	22

BF 系列为金属透气阀, PF 系列为尼龙透气阀。
 BF series is Metal Breather valve , PF seires is Nylon Breather valve



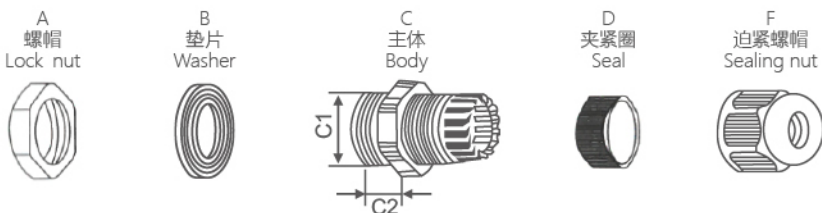
尼龙防水透气阀接头

Nylon waterproof breathable valve connector



M CE ROHS IP68 REACH

产品材质: UL 认可的尼龙 PA66, 丁腈橡胶。
 螺纹规格: 公制 (Metric), 德制 (PG), 英制 (G), 美制 (NPT)。
 工作温度: 静态 -40°C至 100°C, 瞬时耐热至 120°C, 动态 -20°C至 80°C, 瞬时耐热至 100°C。
 产品特性: 特殊的夹紧爪与橡胶件设计, 夹紧范围大, 抗拉力特强, 可防水, 防尘, 防盐, 耐酸碱, 酒精, 油脂及一般溶剂。
 颜色种类: 黑色, 灰色, 特殊颜色 (白色、红色、蓝色、深灰色) 可定做。
 Material: UL approved nylon PA66, Nitrilebutadienerubber(NBR).
 Thread specification: Metric, PG, G, NPT.
 Working temperature: -40°C to 100°C in static state, instantaneous heat resistance up to 120°C, -20°C to 80°C in dynamic state instantaneous heat resistance up to 100°C.
 Characteristics: Special design of clamping die and rubber part, large range in clamping cable, ultra-strong stretching resistance waterproof, dustproof, and high ability to resist salt, acid, alkali, alcohol, grease and general solvent.
 Color: Black, grey as special colors (white, red, blue, dark grey) that can be designed at request.



规格参数

单位: mm

规格 Item	螺纹规格 Thread Size	开孔尺寸 Size of hole	螺纹长度 Length of thread	壁厚 Wall thickness	适用电缆 Applicable to cable	扳手尺寸 Wrench size
M12	M12×1.5	Φ12.2-12.5	9	3	4-8	18/16
M16	M16×1.5	Φ16.2-16.5	9	3	4-8	22/19
					5-10	
M20	M20×1.5	Φ20.2-20.5	9	5	6-12	27/24



波纹管

Bellows

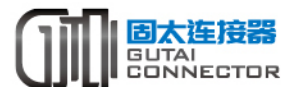
M CE ROHS IP68 REACH

型号 Model number	软管规格 (AD) Hose Specifications (AD)		内径 * 外径 (mm) Inner diameter * Outer diameter (mm)	弯曲半径 (mm) Bending radius (mm)
AD7	AD7	1/4"	4.5*7	16
AD10	AD10	1/4"	6.5*10	16
AD11.6	AD11.6		8*11.6	16
AD13	AD13	5/16"	10*13	20
AD15.8	AD15.8	3/8"	12*15.8	30
AD18.5	AD18.5		14.3*18.5	40
AD21.2	AD21.2	1/2"	17*21.2	45
AD25	AD25		20*25	45
AD28.5	AD28.5	3/4"	23*28.5	50
AD32	AD32		26*32	60
AD34.5	AD34.5		29*34.5	60
AD42.5	AD42.5	1 1/4"	36*42.5	70
AD54.5	AD54.5	2"	48*54.5	90
AD67.2	AD67.2	2 1/2"	56*67.2	130
AD80	AD80	3"	69*80	170
AD106	AD106	4"	94*106	225



波纹管 90°快速弯头

Bellows 90° quick elbow



M CE ROHS IP68 REACH

单位: mm

适配软管 Adaptor hose	型号 Model number	螺牙规格 Screw specification	螺纹外径 Outside diameter of thread	螺纹长度 Thread length
AD10	M10-10	M10*1.5	10	10
	M12-10	M12*1.5	12	10
AD13	M16-13	M16*1.5	16	10
	M18-13	M18*1.5	18	10
	M20-13	M20*1.5	20	10
AD15.8	M16-15.8	M16*1.5	16	10
	M18-15.8	M18*1.5	18	10
	M20-15.8	M20*1.5	20	10
AD18.5	M20-18.5	M20*1.5	20	11.5
AD21.2	M20-21.2	M20*1.5	20	13
	M24-21.2	M24*1.5	24	13
	M25-21.2	M25*1.5	25	13
AD25	M25-25	M25*1.5	25	13
	M25-28.5	M25*1.5	25	13
AD28.5	M27-28.5	M27*1.5	27	13
	M30-28.5	M30*1.5	30	13
AD34.5	M32-34.5	M32*1.5	32	14.5
	M36-34.5	M36*1.5	36	14.5
	M40-34.5	M40*1.5	40	14.5
AD42.5	M40-42.5	M40*1.5	40	14.5
	M48-42.5	M48*1.5	48	14.5
AD54.5	M50-54.5	M50*1.5	50	16
	M63-54.5	M63*1.5	63	16
AD10	PG7-10	PG7	12.5	10
AD13	PG9-13	PG9	15.2	10
AD15.8	PG11-15.8	PG11	18.6	10
AD18.5	PG13.5-18.5	PG13.5	20.4	11
AD21.2	PG16-21.2	PG16	22.5	13
AD25	PG21-25	PG21	28.3	13
AD28.5	PG21-28.5	PG21	28.3	13
AD34.5	PG29-34.5	PG29	37	14.5
AD42.5	PG36-42.5	PG36	47	14.5
AD54.5	PG42-54.5	PG42	54	16
AD54.5	PG48-54.5	PG48	59.3	16
AD10	G1/4-10	G(PF)1/4"	13.157	10
AD13	G3/8-13	G(PF)3/8"	16.662	10
AD15.8	G1/2-15.8	G(PF)1/2"	20.955	10
AD18.5	G1/2-18.5	G(PF)1/2"	20.955	11
AD21.2	G1/2-21.2	G(PF)1/2"	20.955	13
AD25	G3/4-25	G(PF)3/4"	26.441	13
AD28.5	G3/4-28.5	G(PF)3/4"	26.441	13
AD34.5	G1-34.5	G(PF)1"	33.2	14.5
AD42.5	G1 1/4-42.5	G(PF)1 1/4"	41.9	14.5
AD54.5	G1 1/2-54.5	G(PF)1 1/2"	48	16
AD54.5	G2-54.5	G(PF)2"	60	16



波纹管 90°防水弯头

Corrugated pipe 90° waterproof elbow



M CE ROHS IP68 REACH

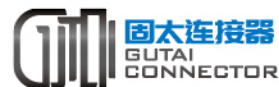
单位: mm

适配软管 Adaptor hose	型号 Model number	螺牙规格 Screw specification	螺纹外径 Outside diameter of thread	螺纹长度 Thread length	幅体最小通径 Minimum width of the frame
AD13	M16-13-ST	M16*1.5	16	10	10.7
AD-15.8	M16-15.8-ST	M16*1.5	16	10	11.1
	M16-15.8	M16*1.5	16	15	11
	M20-15.8-ST	M20*1.5	20	10	14.7
	M20-15.8	M20*1.5	20	15	14.7
AD-18.5	M16-18.5-ST	M16*1.5	16	10	11
	M16-18.5	M16*1.5	16	15	11
	M20-18.5-ST	M20*1.5	20	10	14.7
	M20-18.5	M20*1.5	20	15	14.7
AD21.2	M20-21.2-ST	M20*1.5	20	10	14.8
	M20-21.2	M20*1.5	20	15	14.8
AD25	M25-25-ST	M25*1.5	25	10	19.2
	M25-25	M25*1.5	25	15	19.2
AD28.5	M25-28.5-ST	M25*1.5	25	10	19.9
	M25-28.5	M25*1.5	25	15	19.9
AD34.5	M32-34.5	M32*1.5	32	15	26.2
AD42.5	M40-42.5	M40*1.5	40	20	34



迷你防水盒

Mini waterproof box



M CE ROHS IP68 REACH

型号 Model number	订货号 Order number	数量 / 袋 Quantity/Bag	T	锁紧 lock	单个重量 (g) Individual weight (g)
F1-2T	GT-01	1	2 通 2-pass	3-6.5	71.6
	GT-02	1	2 通 2-pass	5-8	72.8
	GT-03	1	2 通 2-pass	7-10	70.8
F1-3T	GT-05	1	3 通 3-pass	3-6.5	78.8
	GT-06	1	3 通 3-pass	5-8	77.4
	GT-07	1	3 通 3-pass	7-10	76.5
F1-4T	GT-08	1	4 通 4-pass	3-6.5	85
	GT-09	1	4 通 4-pass	5-8	79.5
	GT-10	1	4 通 4-pass	7-10	77.4
F2-3T	GT-11	1	3 通 3-pass	5-8	96.7
	GT-12	1	3 通 3-pass	9-12	96.6

型号 Model number	订货号 Order number	数量 / 袋 Quantity/Bag	T	锁紧 lock	单个重量 (g) Individual weight (g)
F1-2T	GT-13	1	2 通 2-pass	5-8/9-12/10-14	163.2
F1-3T	GT-14	1	3 通 3-pass	5-8/9-12	163
F1-4T	GT-15	1	4 通 4-pass	5-8/9-12	170
F1-5T	GT-16	1	5 通 5-pass	5-8/9-12	183
F1-6T	GT-17	1	6 通 6-pass	5-8/9-12/10-14	195
F5	GT-18	1	2 通 2-pass	5-8/9-12/10-14	163.2
	GT-19	1	3 通 3-pass	5-8/9-12/10-14	163
	GT-20	1	4 通 4-pass	5-8/9-12/10-14	163.2
	GT-21	1	5 通 5-pass	5-8/9-12/10-14	163
	GT-22	1	6 通 6-pass	5-8/9-12/10-14	290
	GT-23	1	8 通 8-pass	5-8/9-12/10-14	320



防水连接器

Waterproof connector



M CE ROHS IP68 REACH

单位: mm

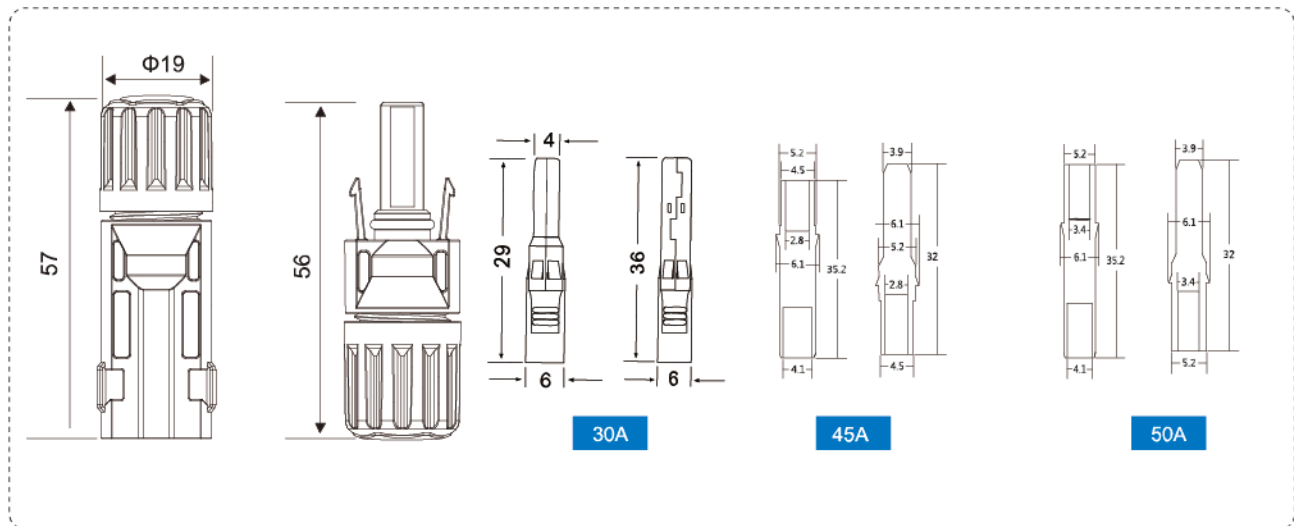
型号 Model number	订货号 Order number	数量 / 袋 Quantity/Bag	芯数 Number of cores	锁紧 lock	单个重量 (g) Individual weight (g)
M16	M16-01	20	2 芯 2-core	3-6.5	17.2
	M16-02	20	2 芯 2-core	5-8	17
	M16-03	20	2 芯 2-core	7-10	16.2
	M16-04	20	3 芯 3-core	3-6.5	19.4
	M16-05	20	3 芯 3-core	5-8	18.8
	M16-06	20	3 芯 3-core	7-10	18.2
M20	M20-01	20	2 芯 2-core	5-8	28
	M20-02	20	2 芯 2-core	9-12	26.6
	M20-03	20	3 芯 3-core	5-8	30
	M20-04	20	3 芯 3-core	9-12	28.5
	M20-05	20	4 芯 4-core	5-8	31.5
	M20-06	20	4 芯 4-core	9-12	30
M25	M25-01	10	2 芯 2-core	5-8	42.2
	M25-02	10	2 芯 2-core	9-12	40.8
	M25-03	10	2 芯 2-core	10-14	39.6
	M25-04	10	3 芯 3-core	5-8	44.2
	M25-05	10	3 芯 3-core	9-12	42.8
	M25-06	10	3 芯 3-core	10-14	41.6
	M25-07	10	4 芯 4-core	5-8	46.2
	M25-08	10	4 芯 4-core	9-12	44.8
	M25-09	10	4 芯 4-core	10-14	43.6
	M25-10	10	5 芯 5-core	5-8	48.2
	M25-11	10	5 芯 5-core	9-12	47
	M25-12	10	5 芯 5-core	10-14	45.8
M20T	M20T-01	10	2 芯 2-core	5-8	69
	M20T-02	10	2 芯 2-core	9-12	67.8
	M20T-03	10	3 芯 3-core	5-8	77.1
	M20T-04	10	3 芯 3-core	9-12	75.3
M25Y	M25Y-01	5	2 芯 2-core	5-8	63.8
	M25Y-02	5	2 芯 2-core	9-12	62.6
	M25Y-03	5	2 芯 2-core	10-14	61.4
	M25Y-04	5	3 芯 3-core	5-8	65.8
	M25Y-05	5	3 芯 3-core	9-12	64.6
	M25Y-06	5	3 芯 3-core	10-14	63.4
	M25Y-07	5	4 芯 4-core	5-8	67.8
	M25Y-08	5	4 芯 4-core	9-12	66.6
	M25Y-09	5	4 芯 4-core	10-14	65.2
	M25Y-10	5	5 芯 5-core	5-8	69.8
	M25Y-11	5	5 芯 5-core	9-12	68.6
	M25Y-12	5	5 芯 5-core	10-14	67.4
M25T	M25T-01	5	2 芯 2-core	5-8	63.8
	M25T-02	5	2 芯 2-core	9-12	62.6
	M25T-03	5	2 芯 2-core	10-14	61.4
	M25T-04	5	3 芯 3-core	5-8	65.8
	M25T-05	5	3 芯 3-core	9-12	64.6
	M25T-06	5	3 芯 3-core	10-14	63.4
	M25T-07	5	4 芯 4-core	5-8	67.8
	M25T-08	5	4 芯 4-core	9-12	66.6
	M25T-09	5	4 芯 4-core	10-14	65.2
	M25T-10	5	5 芯 5-core	5-8	69.8
	M25T-11	5	5 芯 5-core	9-12	68.6
	M25T-12	5	5 芯 5-core	10-14	67.4



技术参数

金属插头系统	Φ2.5mm Φ4mm Φ6mm
额定电压	1000V DC
额定电流	30A(2.5mm ² ,4mm ² ,6mm ² ;14AWG,12AWG,10AWG) 45A(4mm ² ;6mm ² ;12AWG,10AWG)
测试电压	6kV(50HZ,1min.)
环境温度范围	-40°C...+85°C(IEC) -40°F...+194°F(UL)
温度上限	+105°C(IEC)
防护等级	IP67
触摸保护,未插合状态	IP2X
连接器接触阻抗	0.5mΩ
安全等级	II
端子材料	铜镀锡/铜镀银
绝缘材料	PC/PPO
锁紧系统	Snap-in
阻燃等级	UL-94-Vo
腐蚀试验等级	IEC 60068-2-52

尺寸参考 (mm)



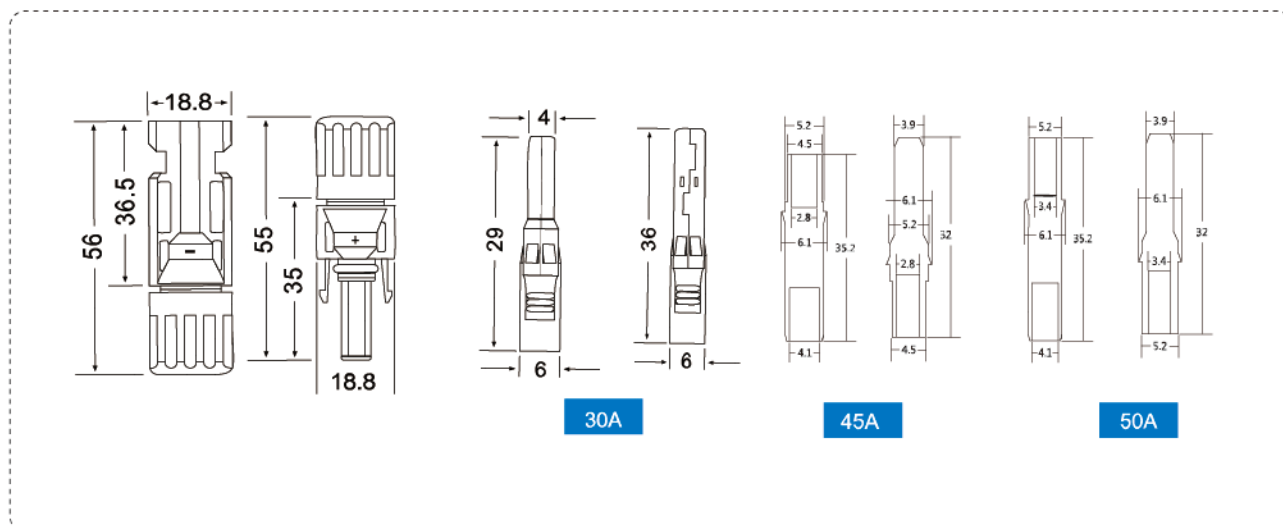
PV-GT01(1000V)
PV-GT01-1(1000V)



技术参数

金属插头系统	Φ2.5mm Φ4mm Φ6mm
额定电压	1000V DC
额定电流	30A(2.5mm ² ,4mm ² ,6mm ² ;14AWG,12AWG,10AWG) 45A(4mm ² ;6mm ² ;12AWG,10AWG)
测试电压	6kV(50HZ,1min.)
环境温度范围	-40°C...+85°C(IEC) -40°F...+194°F(UL)
温度上限	+105°C(IEC)
防护等级	IP67
触摸保护, 未插合状态	IP2X
连接器接触阻抗	0.5mΩ
安全等级	II
端子材料	铜镀锡/铜镀银
绝缘材料	PC/PPO
锁紧系统	Snap-in
阻燃等级	UL-94-Vo
腐蚀试验等级	IEC 60068-2-52

尺寸参考 (mm)



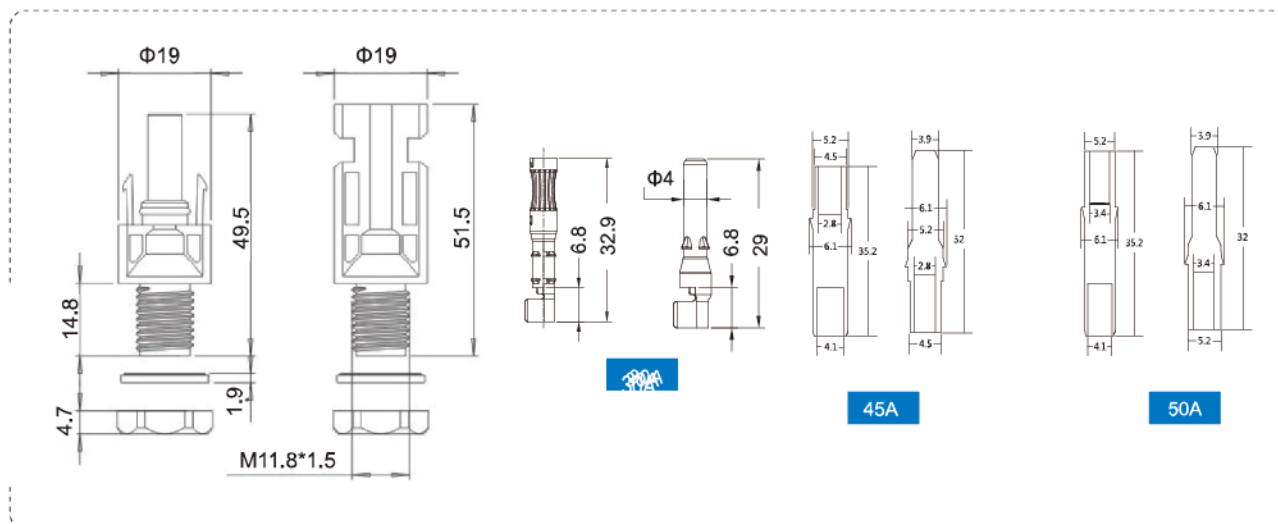
PV-GT02(1000V)
PV-GT02-1(1000V)



技术参数

金属插头系统	Φ2.5mm Φ4mm Φ6mm
额定电压	1000V DC
额定电流	30A(2.5mm ² ,4mm ² ,6mm ² ;14AWG,12AWG,10AWG) 45A(4mm ² ;6mm ² ;12AWG,10AWG)
测试电压	6kV(50HZ,1min.)
环境温度范围	-40°C...+85°C(IEC) -40°F...+194°F(UL)
温度上限	+105°C(IEC)
防护等级	IP67
触摸保护,未插合状态	IP2X
连接器接触阻抗	0.5mΩ
安全等级	II
端子材料	铜镀锡/铜镀银
绝缘材料	PC/PPO
锁紧系统	Snap-in
阻燃等级	UL-94-Vo
腐蚀试验等级	IEC 60068-2-52

尺寸参考 (mm)



PV-GT03(1000V)

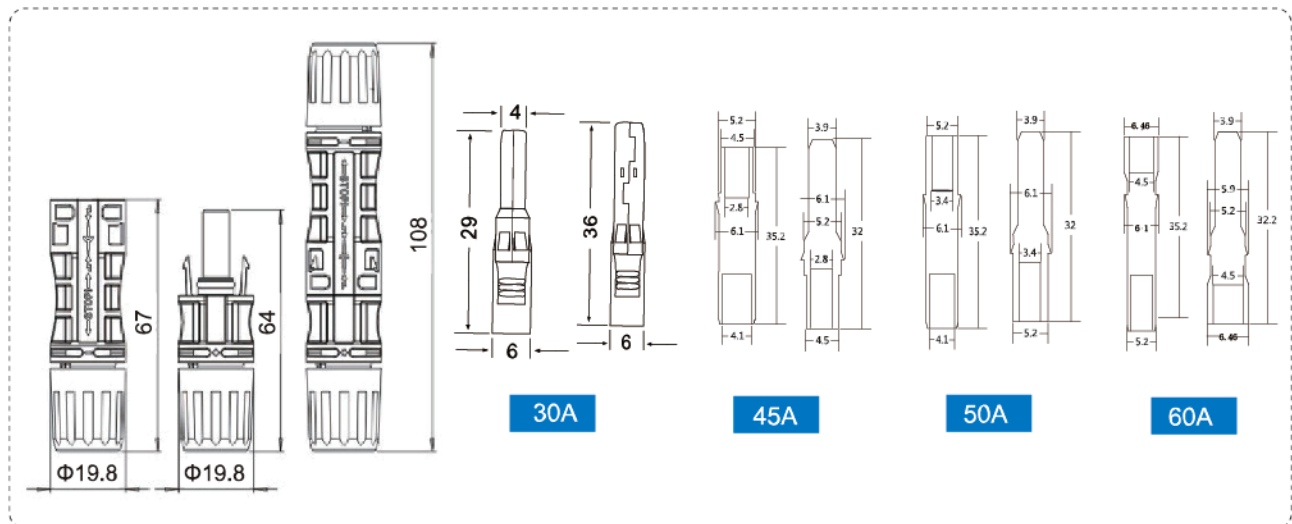
PV-GT03-1(1000V)



技术参数

金属插头系统	Φ2.5mm Φ4mm Φ6mm Φ10mm Φ16mm
额定电压	1500V DC
额定电流	30A(2.5mm ² ,4mm ² ,6mm ² ;14AWG,12AWG,10AWG) 45A(4mm ² ;6mm ² ;12AWG,10AWG) 60A(10 mm ² ;8AWG) 80A(16mm ² ;7AWG)
测试电压	6kV(50HZ,1min.)
环境温度范围	-40°C...+85°C(IEC) -40°F..+194°F(UL)
温度上限	+105°C(IEC)
防护等级	IP67
触摸保护, 未插合状态	IP2X
连接器接触阻抗	0.5mΩ
安全等级	II
端子材料	铜镀锡/铜镀银
绝缘材料	PC/PPO
锁紧系统	Snap-in
阻燃等级	UL-94-Vo
腐蚀试验等级	IEC 60068-2-52

尺寸参考 (mm)



PV-GT05(1500V)
PV-GT05-1(1500V)

PV-GT05-2(1500V)
PV-GT05-3(1500V)



PV-GTF02(1500V) 光伏连接器

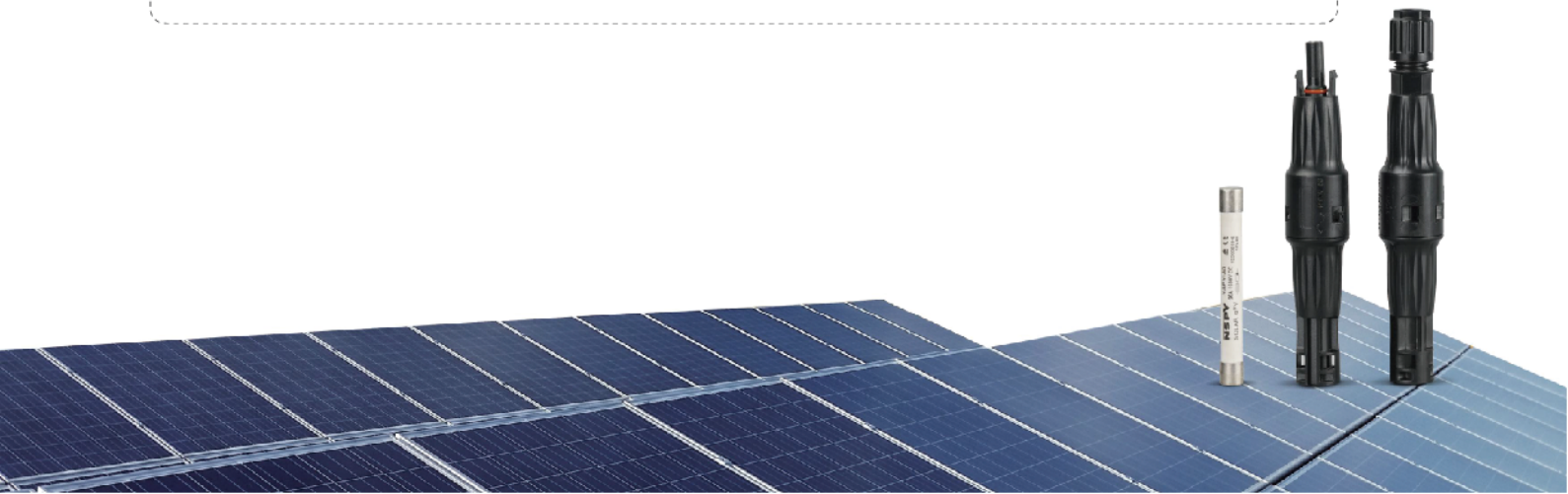
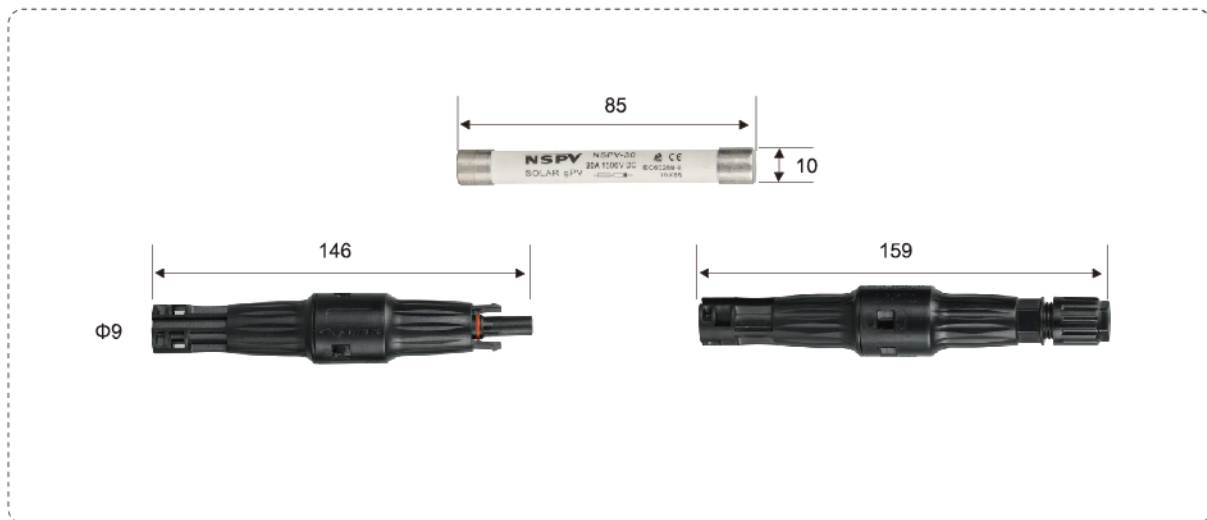
PV-GTF02(1500V) photovoltaic connector



技术参数

金属插头系统	Φ4mm
额定电压	1500V DC(IEC) ¹
额定电流	10A 15A 20A 25A
测试电压	6kV(50HZ,1min.)
环境温度范围	-40°C...+85°C(IEC) -40°F...+194°F(UL)
温度上限	+105°C(IEC)
防护等级, 插合状态	IP67
触摸保护, 未插合状态	IP2X
连接器接触阻抗	0.5mΩ
安全等级	II
端子材料	铜镀锡/铜镀银
绝缘材料	PC/PPO
锁紧系统	Snap-in
阻燃等级	UL-94-Vo
腐蚀试验等级	IEC 60068-2-52

尺寸参考 (mm)



PV-GTD01 光伏连接器

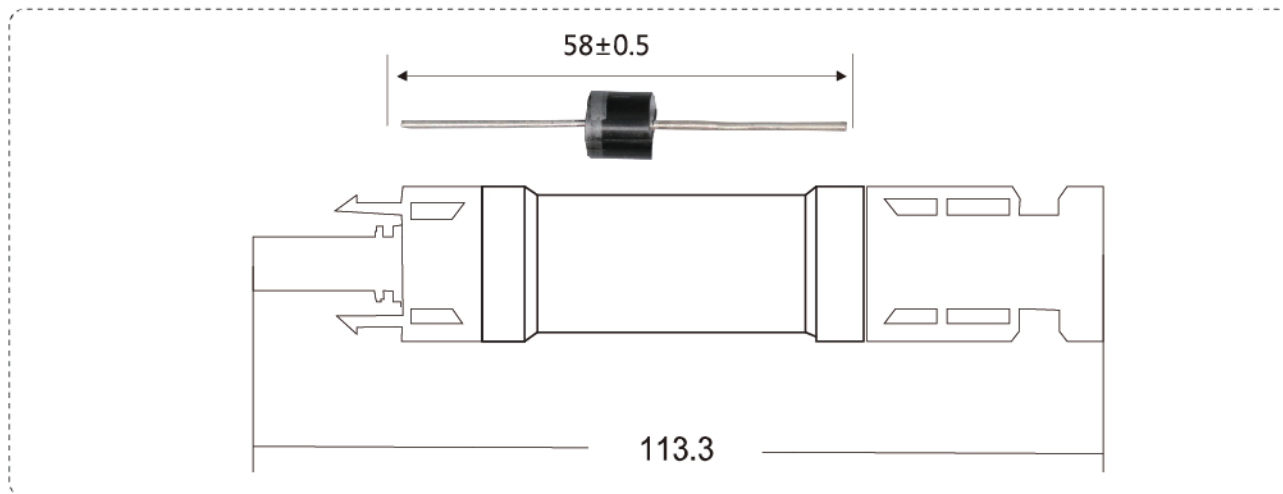
PV-GTD01 photovoltaic connector



技术参数 L DATA

金属插头系统	Φ4mm
额定电压	1000V DC
额定电流	10A 15A 20A 30A
测试电压	6kV(50HZ,1min.)
环境温度范围	-40°C...+85°C(IEC)
温度上限	+105°C(IEC)
防护等级, 插合状态	IP67
触摸保护, 未插合状态	IP2X
连接器接触阻抗	0.5mΩ
安全等级	II
端子材料	铜镀锡/铜镀银
绝缘材料	PC/PPO
锁紧系统	Snap-in
阻燃等级	UL-94-Vo
腐蚀试验等级	IEC 60068-2-52

尺寸参考 (mm)



PV-GTF01 光伏连接器

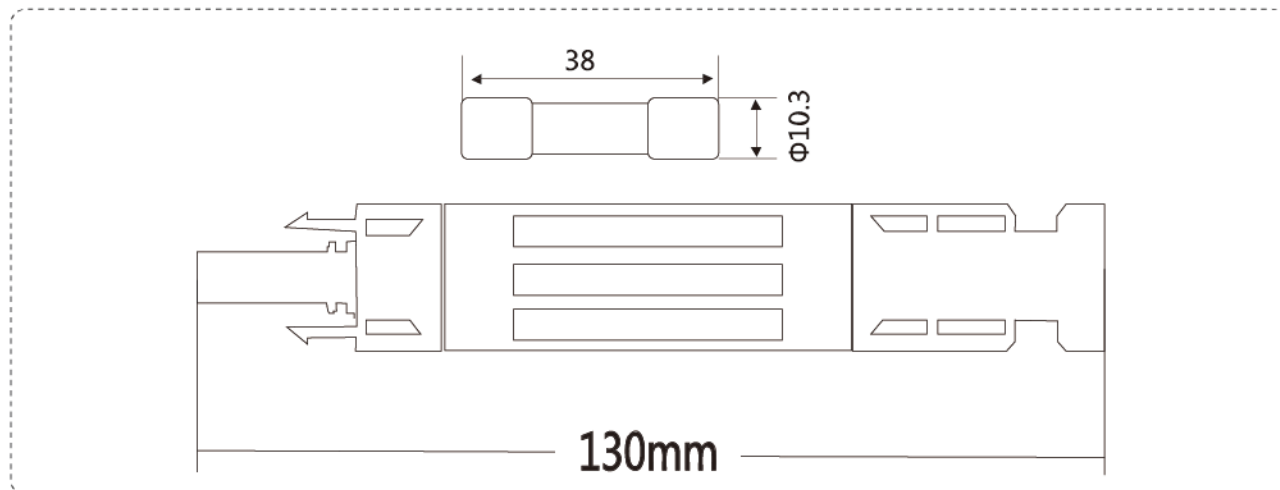
PV-GTF01 photovoltaic connector



技术参数 L DATA

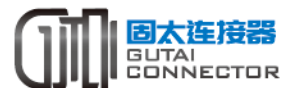
金属插头系统	Φ4mm
额定电压	1000V DC
额定电流	10A 15A 20A 25A 30A
测试电压	6kV(50HZ,1min.)
环境温度范围	-40°C...+85°C(IEC)
温度上限	+105°C(IEC)
防护等级, 插合状态	IP67
触摸保护, 未插合状态	IP2X
连接器接触阻抗	0.5mΩ
安全等级	II
端子材料	铜镀锡/铜镀银
绝缘材料	PC/PPO
锁紧系统	Snap-in
阻燃等级	UL-94-Vo
腐蚀试验等级	IEC 60068-2-52

尺寸参考 (mm)



PV-GTT2 光伏连接器

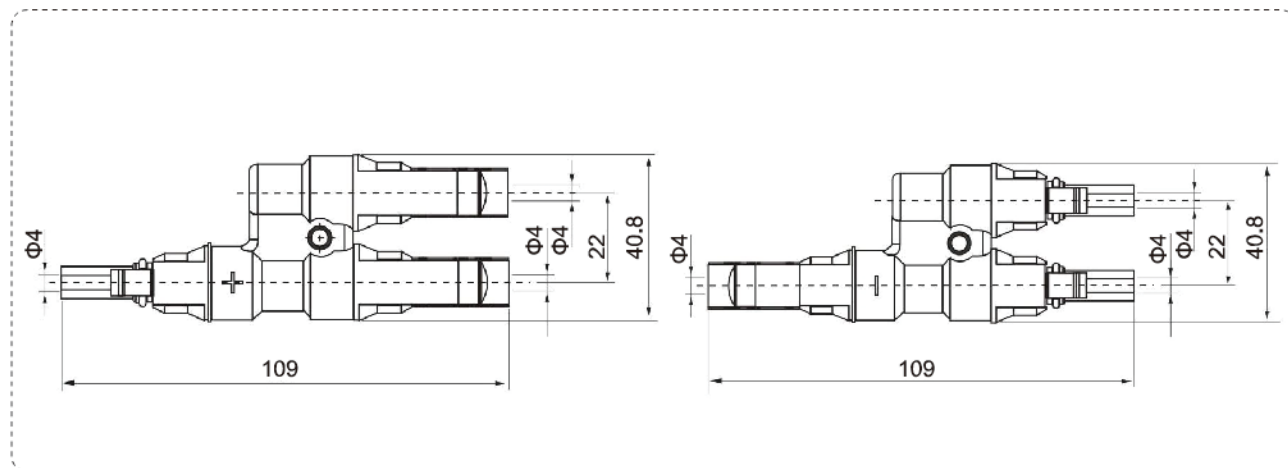
PV-GTT2 photovoltaic connector



技术参数

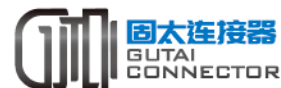
绝缘材料	PC
接触材料	黄铜铜棒
额定电流	50A
额定电压	1000V (TUV) 600V (UL)
测试电压	6KV(TUV50HZ,1min)
接触电阻	<0.5mΩ
防护等级	IP67
环境温度范围	-40°C ~+85°C
阻燃等级	UL 94-VO
安全等级	II
孔径	Φ4mm

尺寸参考 (mm)



PV-GTT3 光伏连接器

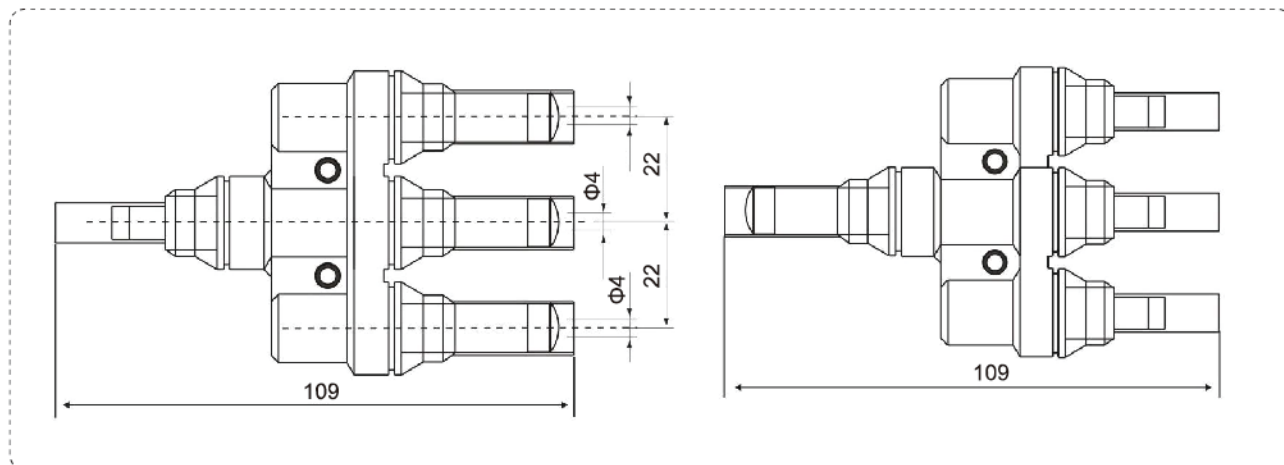
PV-GTT3 photovoltaic connector



技术参数

绝缘材料	PC
接触材料	黄铜铜棒
额定电流	50A L)
额定电压	1000V (TUV) 600V (U
测试电压	6KV(TUV50HZ,1min)
接触电阻	<0.5mΩ
防护等级	IP67
环境温度范围	-40°C ~+85°C
阻燃等级	UL 94-V0
安全等级	II
孔径	Φ4mm

尺寸参考 (mm)



PV-GTT4 光伏连接器

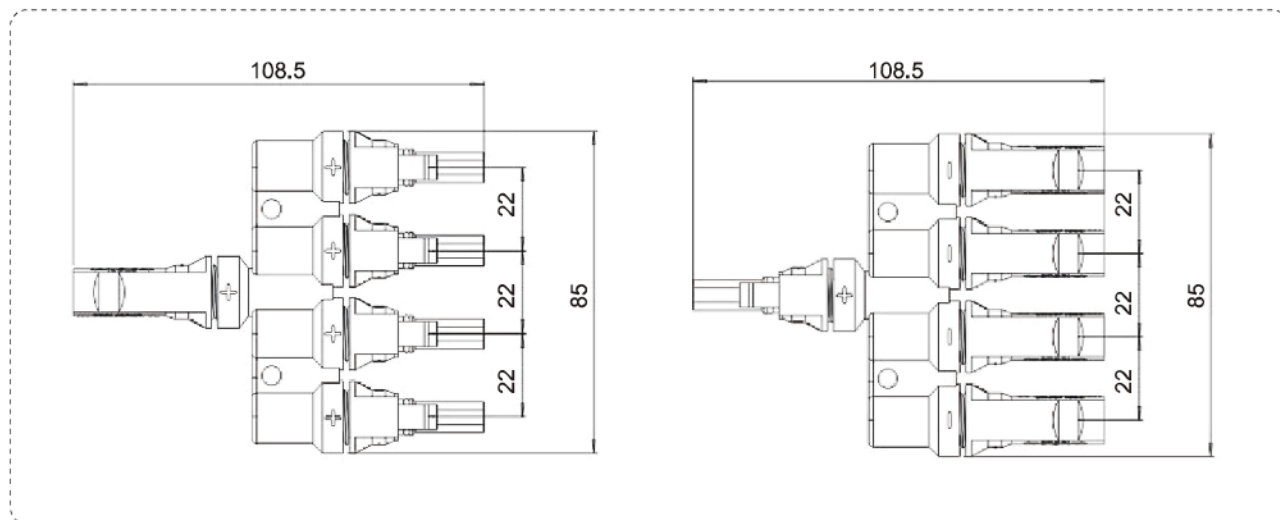
PV-GTT4 photovoltaic connector



技术参数

绝缘材料	PC
接触材料	黄铜铜棒
额定电流	50A
额定电压	1000V (TUV) 600V (UL)
测试电压	6KV(TUV50HZ,1min)
接触电阻	<0.5mΩ
防护等级	IP67
环境温度范围	-40°C ~+85°C
阻燃等级	UL 94-VO
安全等级	II
孔径	Φ4mm

尺寸参考 (mm)



PV-GTT5 光伏连接器

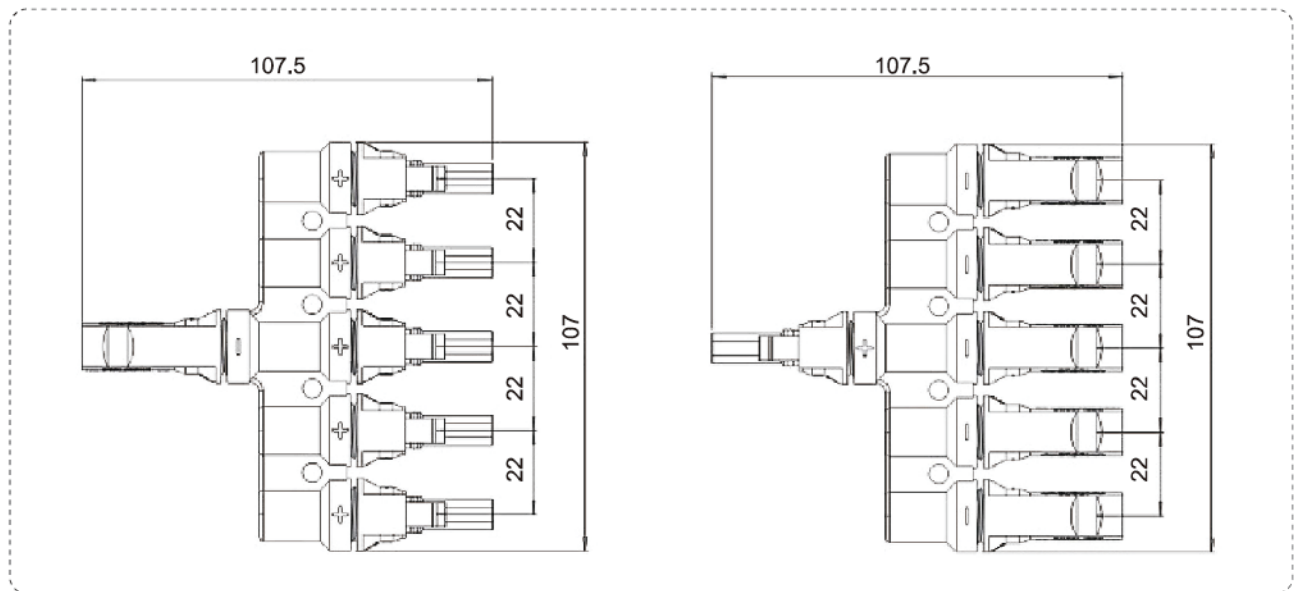
PV-GTT5 photovoltaic connector



技术参数

绝缘材料	PC
接触材料	黄铜铜棒
额定电流	50A
额定电压	1000V (TUV) 600V (UL)
测试电压	6KV(TUV50HZ,1min)
接触电阻	<0.5mΩ
防护等级	IP67
环境温度范围	-40°C ~ +85°C
阻燃等级	UL 94-VO
安全等级	II
孔径	Φ4mm

尺寸参考 (mm)



PV-GTT6 光伏连接器

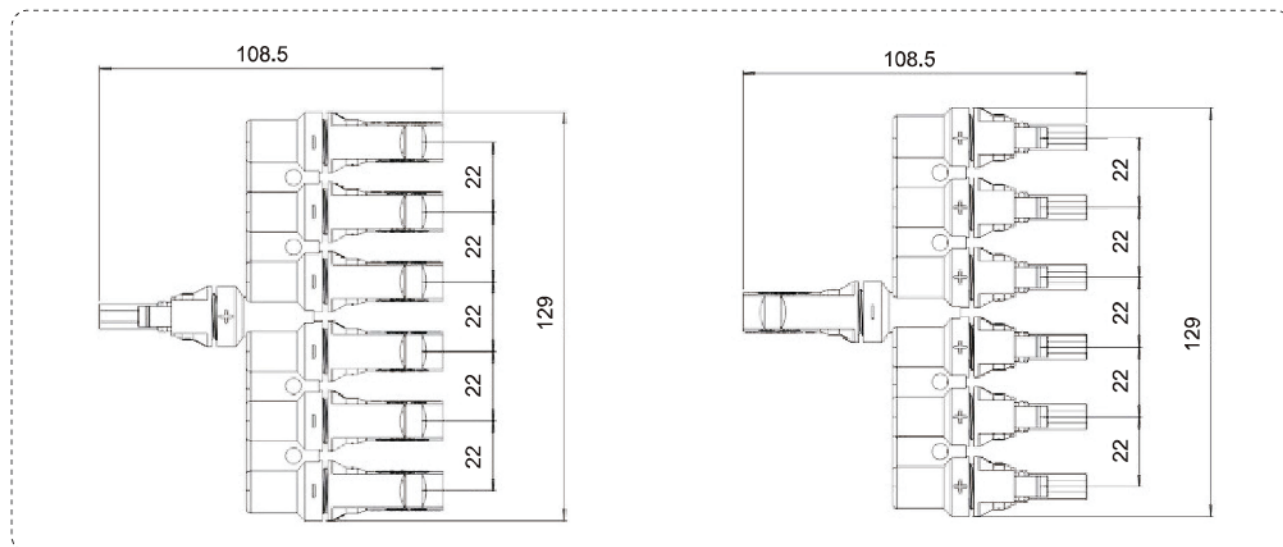
PV-GTT6 photovoltaic connector



技术参数

绝缘材料	PC
接触材料	黄铜铜棒
额定电流	50A
额定电压	1000V (TUV) 600V (UL)
测试电压	6KV(TUV50HZ,1min)
接触电阻	<0.5mΩ
防护等级	IP67
环境温度范围	-40°C ~ +85°C
阻燃等级	UL 94-VO
安全等级	II
孔径	Φ4mm

尺寸参考 (mm)



PV-GTY2 光伏连接器

PV-GTY2 photovoltaic connector

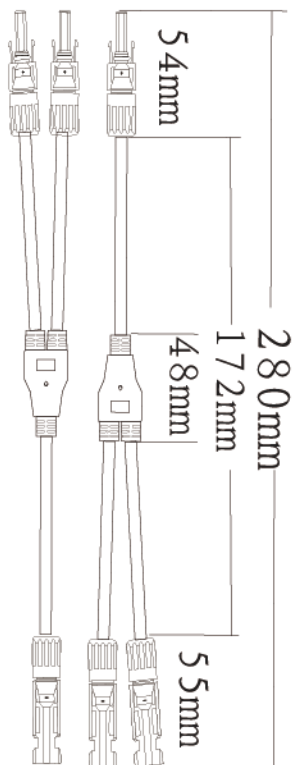


技术参数

金属插头系统	Φ4mm
额定电压	1000V DC(IEC) ¹
额定电流	30A
测试电压	6kV(50HZ,1min.)
环境温度范围	-40°C...+85°C(IEC) -40°F...+194°F(UL)
温度上限	+105°C(IEC)
防护等级, 插合状态	IP67
触摸保护, 未插合状态	IP2X
连接器接触阻抗	0.5mΩ
安全等级	II
端子材料	铜镀锡/铜镀银
绝缘材料	PC/PPO
锁紧系统	Snap-in
阻燃等级	UL-94-VO
腐蚀试验等级	IEC 60068-2-52

尺寸参考 (mm)

尺寸为手工测量, 仅供参考



PV-GTY3 光伏连接器

PV-GTY3 photovoltaic connector

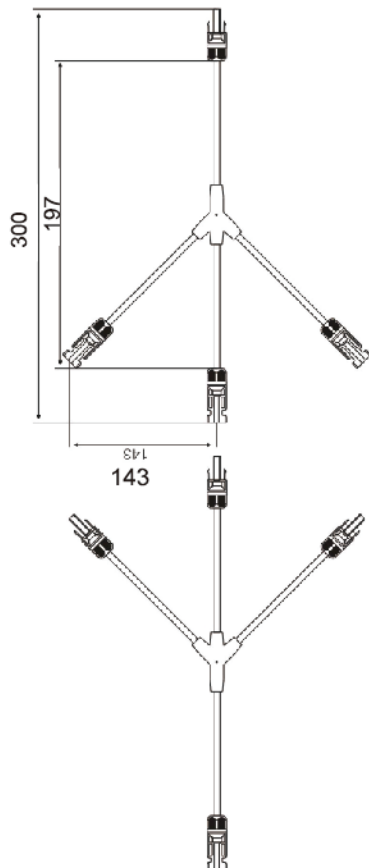


技术参数

金属插头系统	Φ4mm
额定电压	1000V DC(IEC)'
额定电流	30A
测试电压	6kV(50HZ,1min.)
环境温度范围	-40°C...+85°C(IEC) -40°F...+194°F(UL)
温度上限	+105°C(IEC)
防护等级, 插合状态	IP67
触摸保护, 未插合状态	IP2X
连接器接触阻抗	0.5mΩ
安全等级	II
端子材料	铜镀锡/铜镀银
绝缘材料	PC/PA
锁紧系统	Snap-in
阻燃等级	UL-94-VO
腐蚀试验等级	IEC 60068-2-52

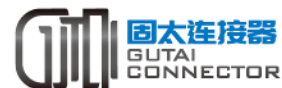
尺寸参考 (mm)

尺寸为手工测量, 仅供参考



PV-GTY4 光伏连接器

PV-GTY4 photovoltaic connector



技术参数

金属插头系统	Φ4mm
额定电压	1000V DC(IEC) ¹
额定电流	30A
测试电压	6kV(50HZ,1min.)
环境温度范围	-40°C...+85°C(IEC) -40°F...+194°F(UL)
温度上限	+105°C(IEC)
防护等级, 插合状态	IP67
触摸保护, 未插合状态	IP2X
连接器接触阻抗	0.5mΩ
安全等级	II
端子材料	铜镀锡/铜镀银
绝缘材料	PC/PA
锁紧系统	Snap-in
阻燃等级	UL-94-VO
腐蚀试验等级	IEC 60068-2-52

尺寸参考 (mm)

尺寸为手工测量, 仅供参考

